

ASSEMBLY INSTRUCTIONS

New

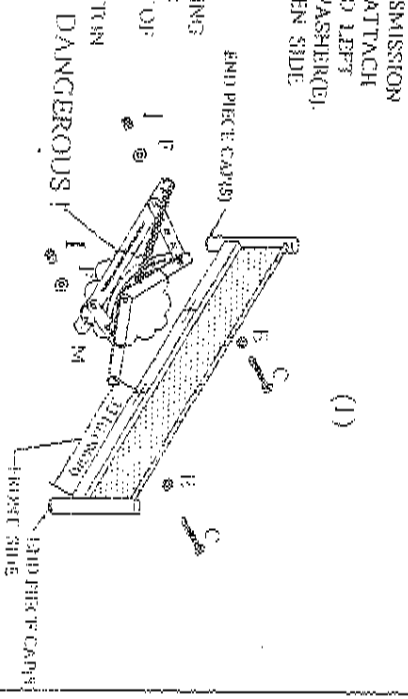
4024 - 2015

DEAR CUSTOMERS:

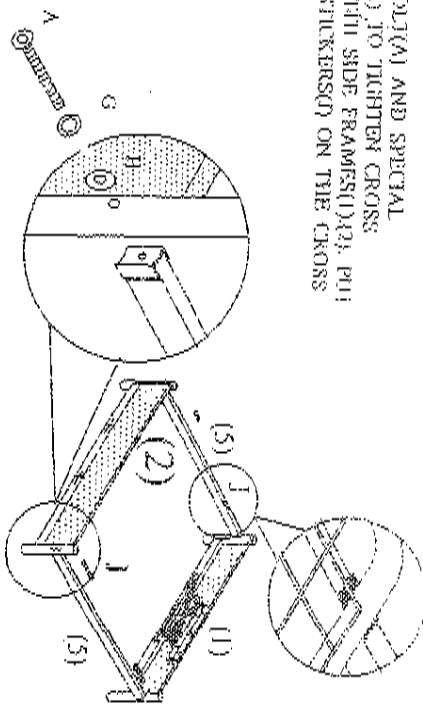
THANK YOU FOR PURCHASING OUR PRODUCT. PLEASE TAKE TIME TO READ AND FOLLOW THE ASSEMBLY INSTRUCTION. IF BY CHANCE A PART IS LACKING, CIRCLE THE CORRECT PART NUMBER AND ASK TO YOUR SELLER FREE OF CHARGE.

PARTS LIST:

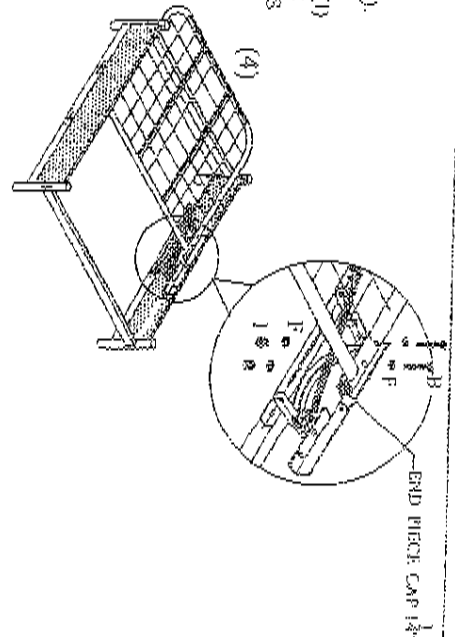
PARTS LIST	QTY	DESCRIPTION	QTY
RIGHT SIDE FRAME	1PC	(9) CROSS BAR	2PCS
LEFT SIDE FRAME	1PC	(6) SUPPORT LEG	1PC
FRONT MATTRESS FRAME	1PC	(7) SUPPORT LEG	1PC
BACK MATTRESS FRAME	1PC	(8) PLASTIC END CAP 2"	2PCS
ADDITIONAL PARTS LIST		(9) PLASTIC END CAP 1 1/2"	6PCS
BOLTS 1/8" x 2-3/8"	4PCS	(1) STICKER	4PCS
BOLTS 1/8" x 1-3/4"	8PCS	(K) ALLEN WRENCH	1PC
BOLTS 1/8" x 1-1/4"	4PCS	(L) ALLEN WRENCH 5/16"	1PC
BOLTS 5/8" x 1-1/8"	2PCS	(M) TRANSMISSION (RIGHT)	1PC
WASHER #24	4PCS	(N) TRANSMISSION (LEFT)	1PC
WASHER #18	21PCS		
SPRING WASHER	4PCS		
SPECIAL WASHER	4PCS		
NUT 5/8"	12PCS		



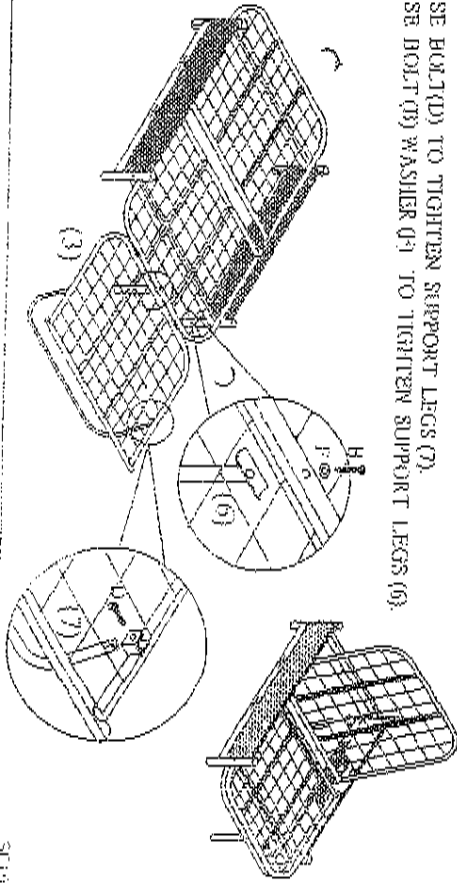
STEP 1
USE BOLT (A) AND SPECIAL WASHER (B) TO TIGHTEN CROSS BARS (C) WITH SIDE FRAME (D), PUT 4 PCS OF STICKER (E) ON THE CROSS BARS (C)



STEP 3
ATTACH BACK MATTRESS FRAME (6) TO TRANSMISSION (M), THEN USE BOLT (F), WASHER (F), SPRING AND NUT (I) TO TIGHTEN THEM ASSEMBLE FRONT MATTRESS FRAME (9) AS ABOVE DESCRIPTION.

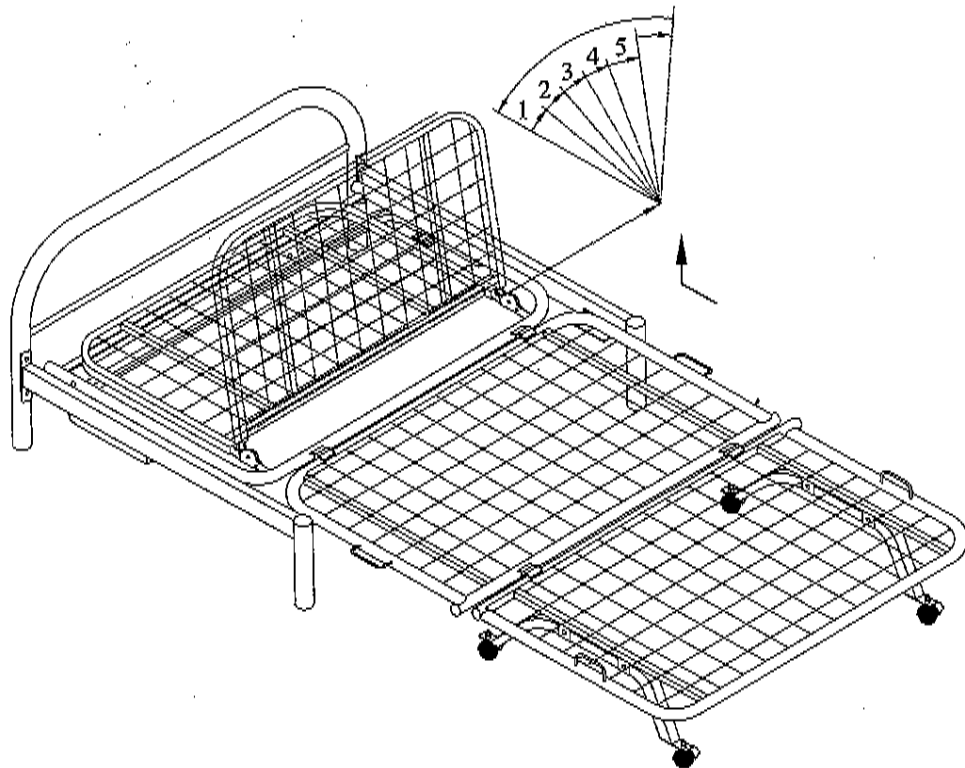
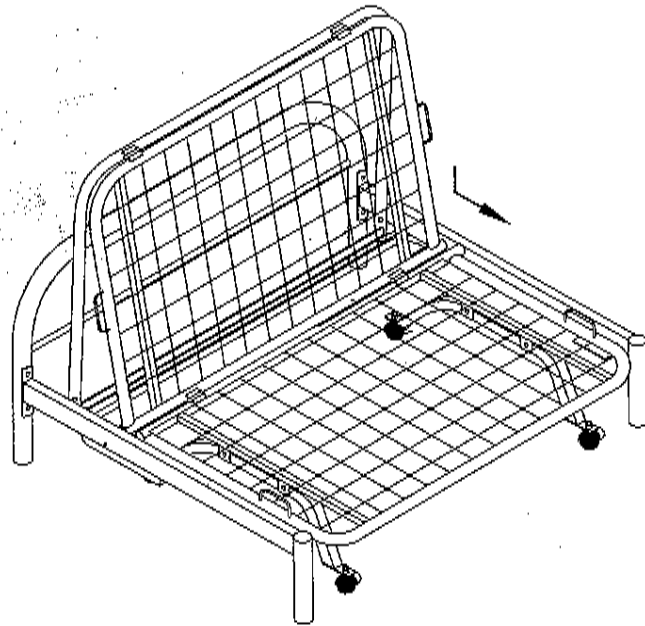


STEP 4
USE BOLT (D) TO TIGHTEN SUPPORT LEGS (7), USE BOLT (9) WASHER (9) TO TIGHTEN SUPPORT LEGS (6).

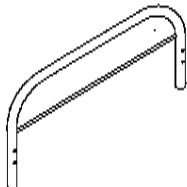

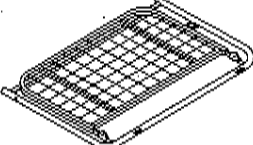

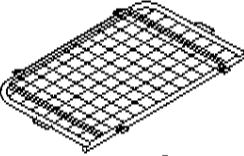

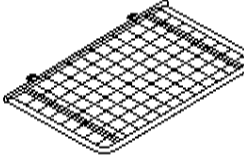




Item #4029


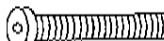

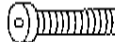


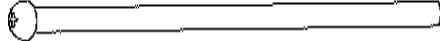
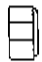



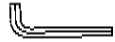


ASSEMBLY INSTRUCTIONS



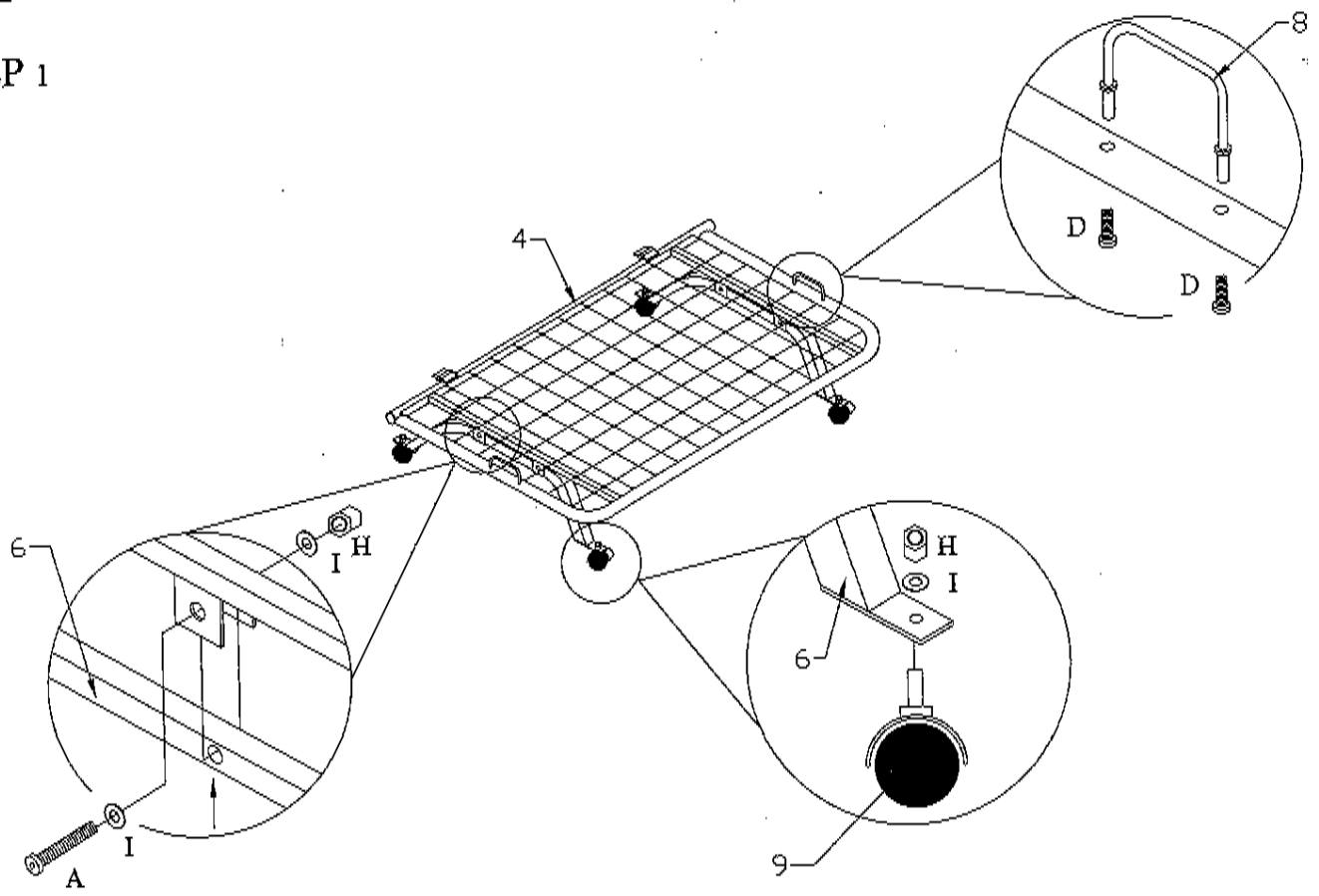
PARTS LIST:

(1)x1		(5)x2	
(2)x1		(6)x2	
(3)x1		(7)x1	
(4)x1		(8)x2	
		(9)x4	

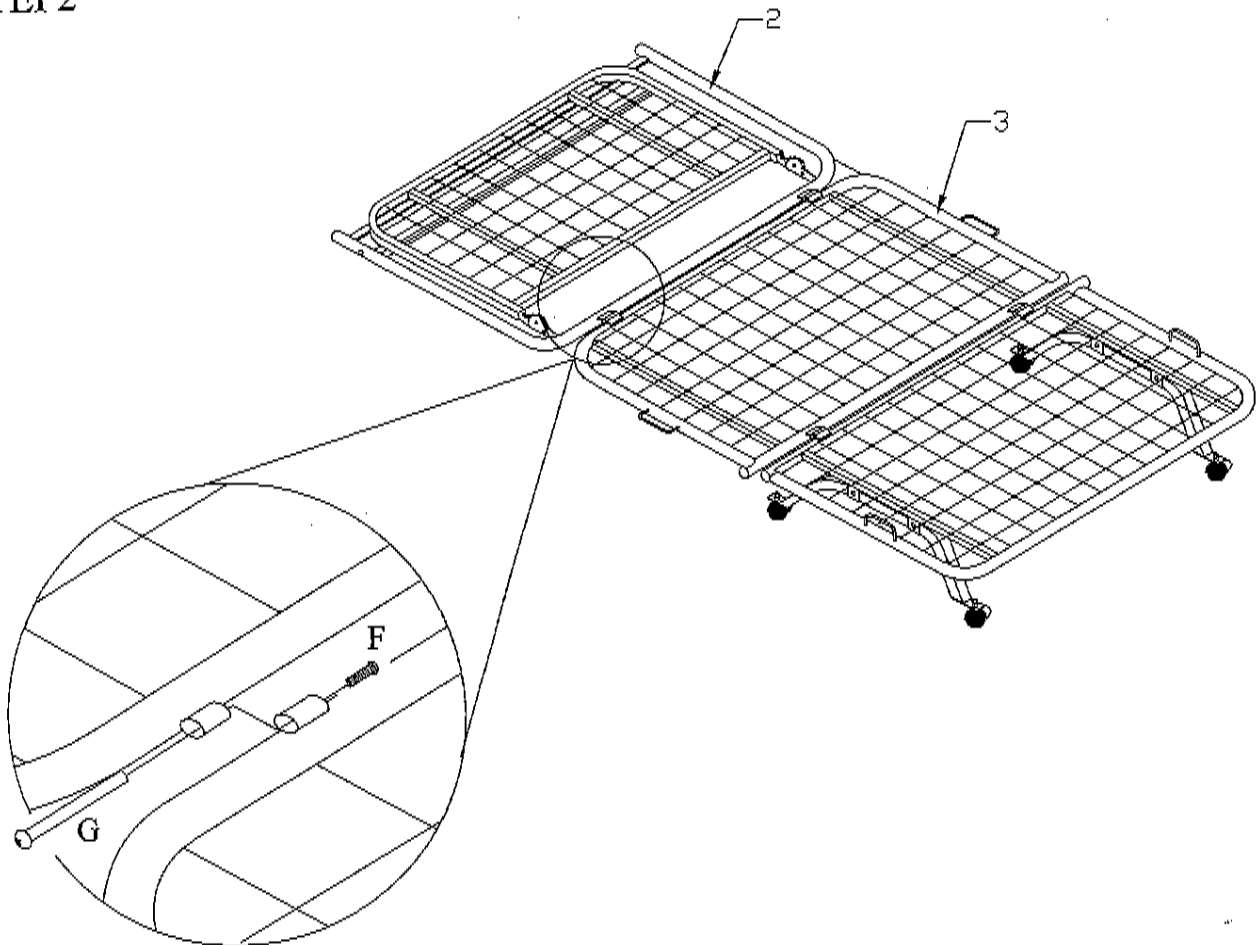
HARDWARE LIST

A)	BOLT 5/16"X 1 3/4"		4 PCS
B)	BOLT 1/4"X 1 3/4"		4 PCS
C)	BOLT 1/4"X 7/8"		4 PCS
D)	BOLT 1/4"X 5/8"		4 PCS
E)	BOLT 1/4"X 3/8"		2 PCS
F)	BOLT 3/16"X 13L		4 PCS
G)	BOLT 3/16"X 4"		4 PCS
H)	NUT 5/16"		8 PCS
I)	WASHER Ø 18mm		12 PCS
J)	WASHER Ø 16mm		8PCS
K)	STICKER		2 PCS
L)	ALLEN WRENCH 4mm		1 PC
M)	ALLEN WRENCH 5mm		1 PC
N)	ALLEN WRENCH		1 PC

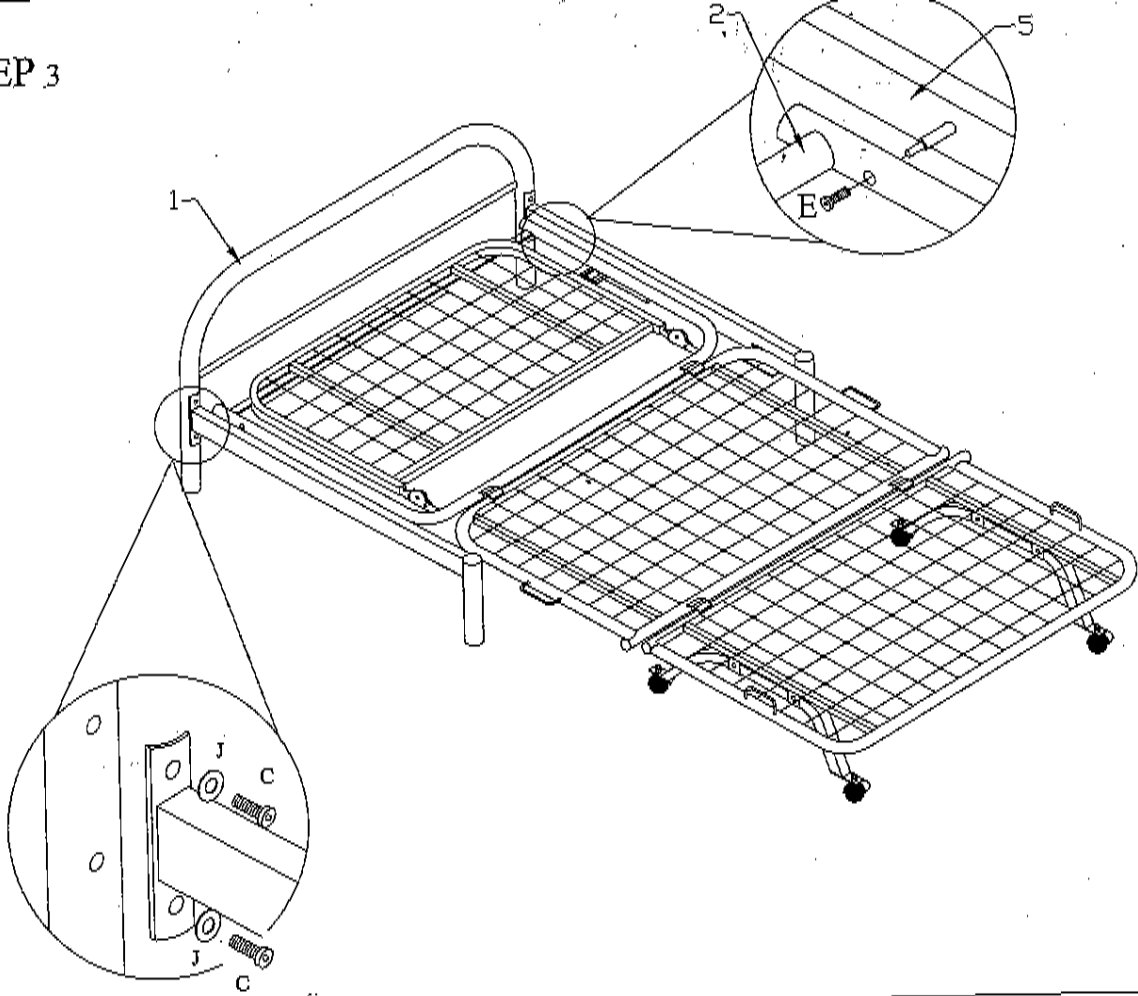
STEP 1



STEP 2



STEP 3



STEP 4

