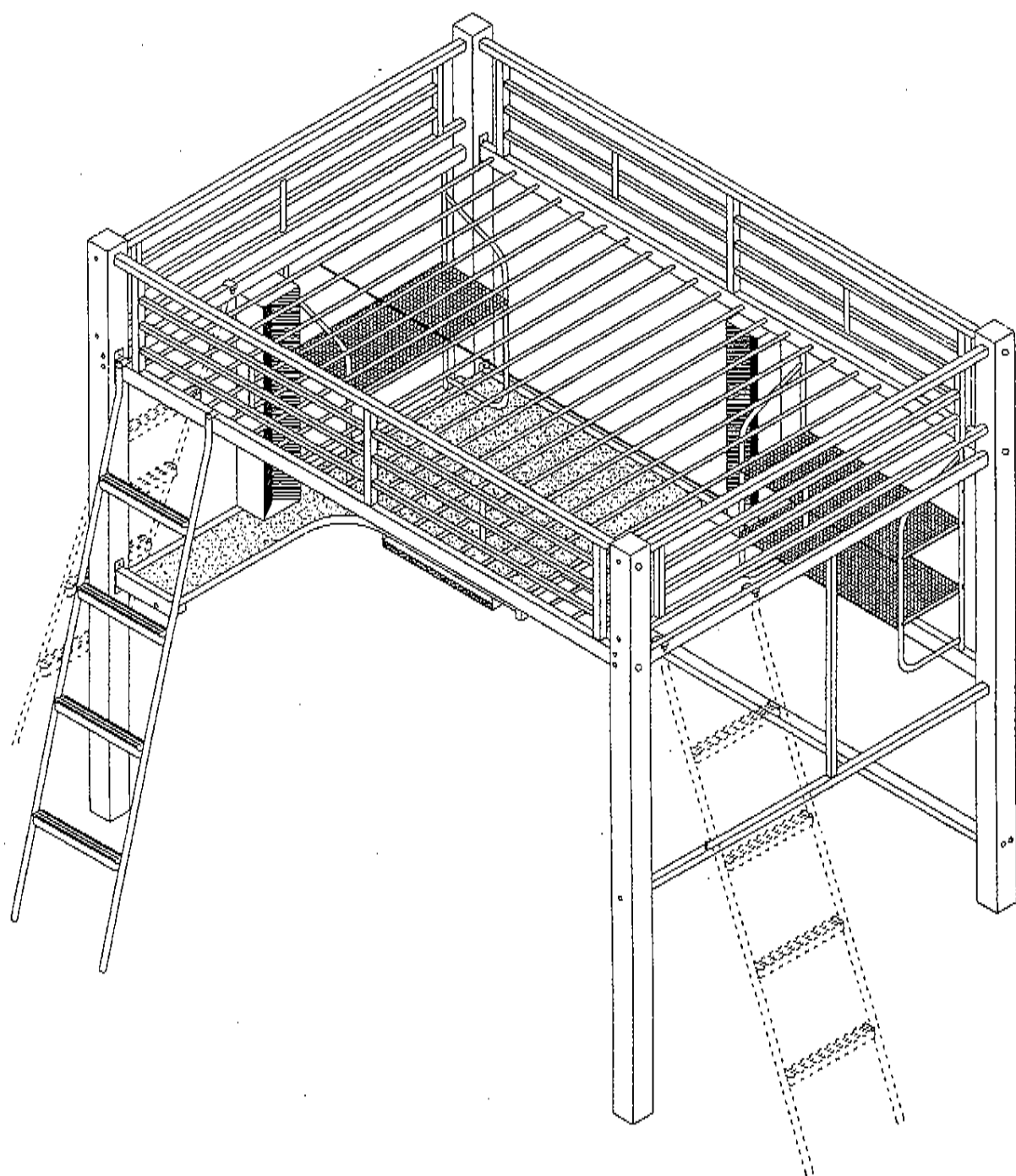




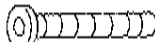

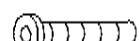

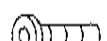

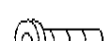

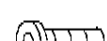

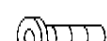


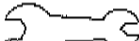
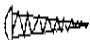
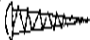
4037

ASSEMBLY INSTRUCTIONS



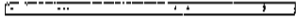





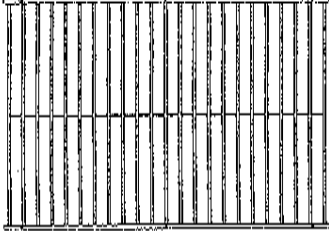
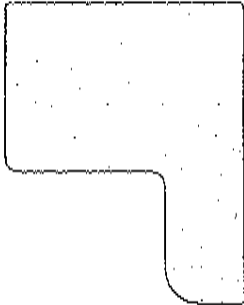




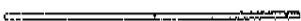

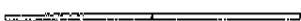







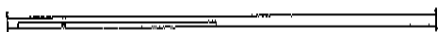

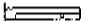


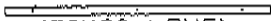

4037

PARTS IDENTIFICATION

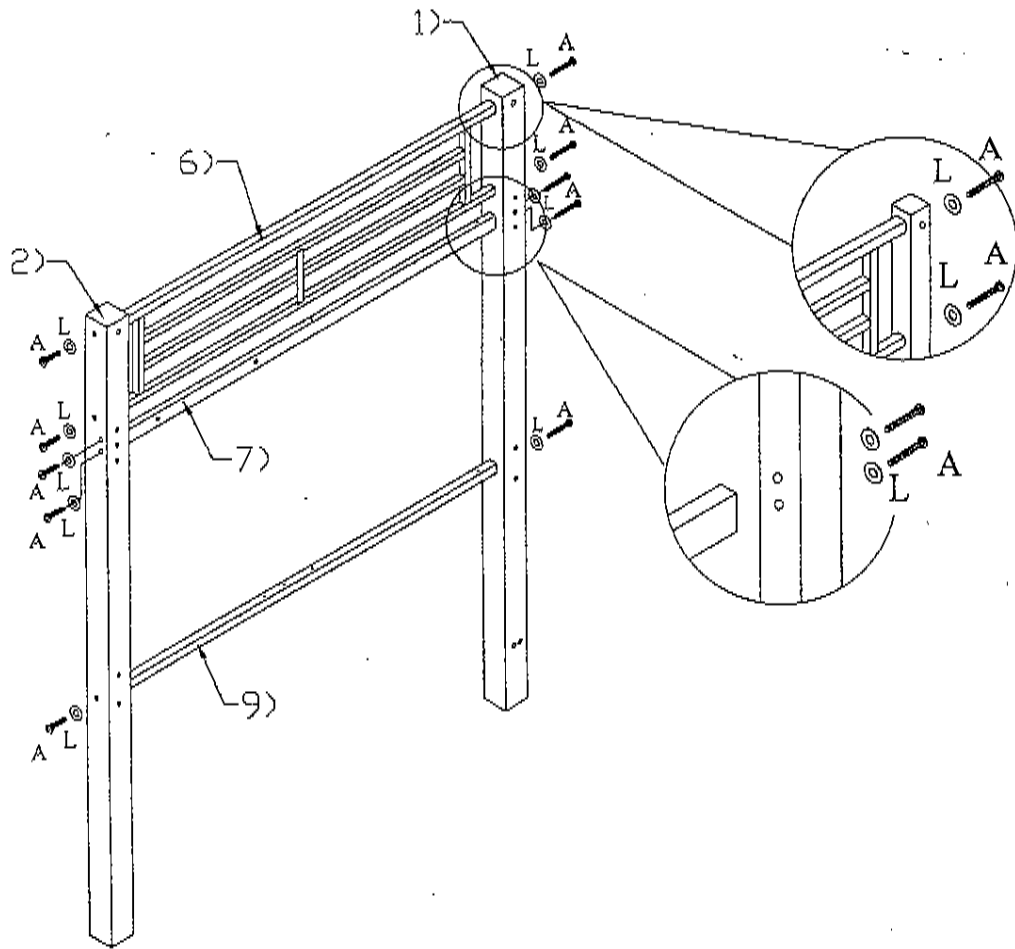
A)		BOLT 1/4"X 4"	28PCS	K)		NUT 5/32"X 3.2mm	8PCS
B)		BOLT 1/4"X 3 1/2"	4PCS	L)		WASHER (ø16mm)	80PCS
C)		BOLT 1/4"X 2 3/4"	16PCS	M)		WASHER (ø12mm)	11PCS
D)		BOLT 1/4"X 1 3/4"	3PCS	N)		SPRING WASHER	10PCS
E)		BOLT 1/4"X 1 1/2"	17PCS	O)		WASHER (ø30mm)	4PCS
F)		BOLT 1/4"X 7/8"	16PCS	P)		9x14(mm)	4PCS
G)		BOLT 1/4"X 1/2"	12PCS	Q)		ALLEN WRENCH (4m/m)	1PCS
H)		BOLT 5/32"X 3/8"	8PCS	R)		ALLEN WRENCH	1PC
I)		BOLT M4X 1 1/4"	7PCS				
J)		BOLT M4X 1/2"	4PCS				

4037

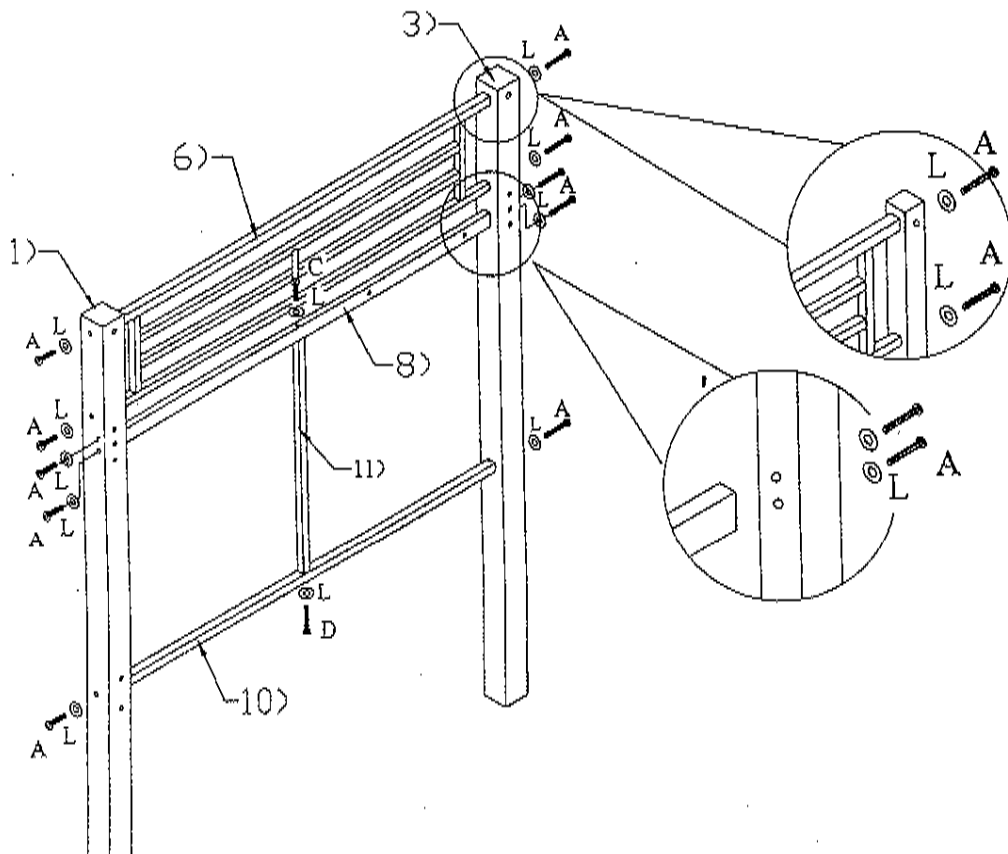
PARTS IDENTIFICATION

1)		2PCS	17)		1PC
2)		1PC	18)		1PC
3)		1PC	19)		6PCS
4)		1PC	20)		1PC
5)		2PCS	21)		1PC
6)		2PCS	22)		2PCS
7)		1PC	23)		2PCS
8)		1PC	24)		3PCS
9)		1PC	25) ✓		2PCS
10)		1PC	26)		RIGHT 1PC
11)		1PC	27)		LEFT 1PC
12)		1PC	28)		1PC
13)		1PC	29)		2PCS
14)		1PC			
15)		1PC			
16)		1PC			

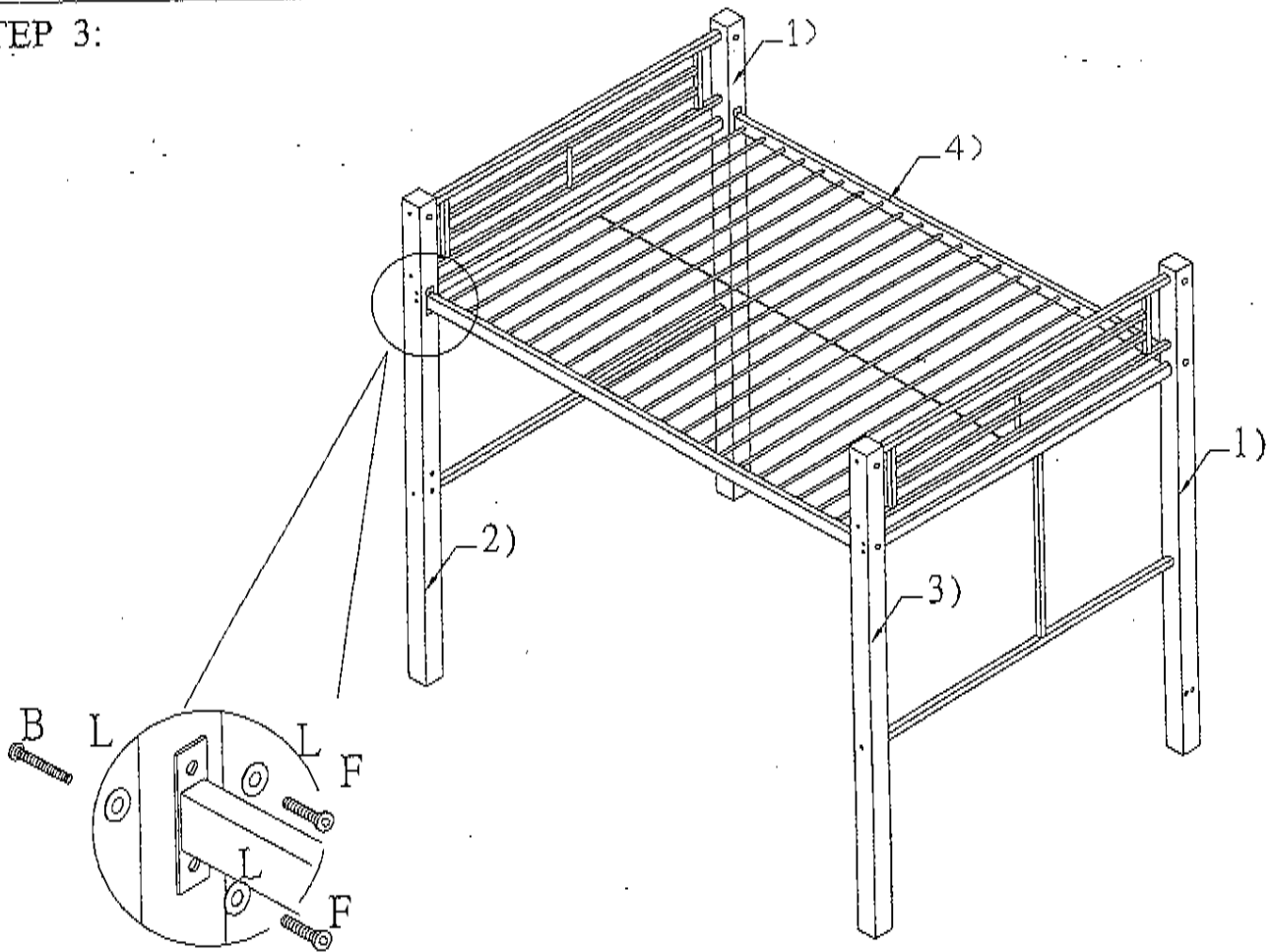
STEP 1:



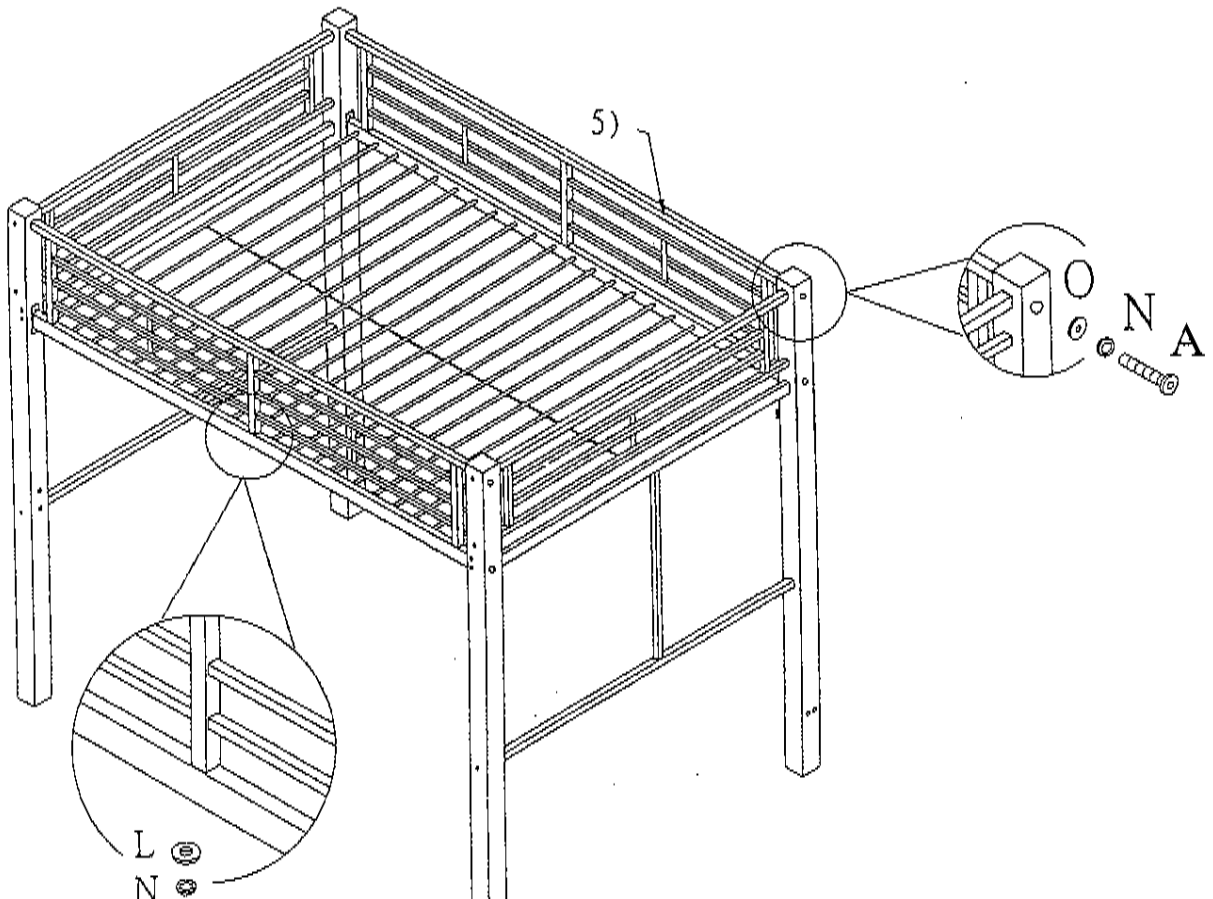
STEP 2:



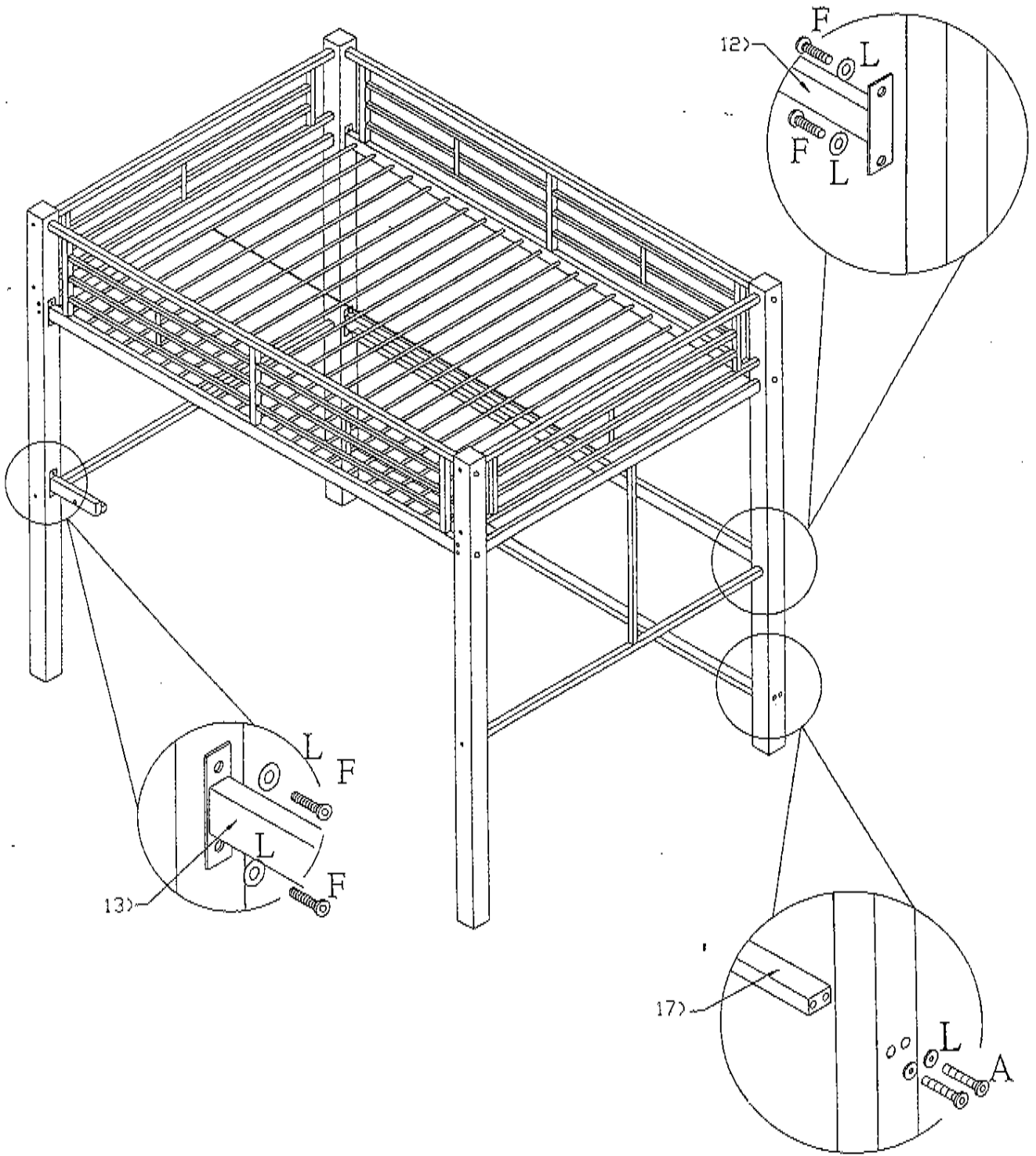
STEP 3:



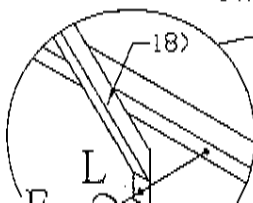
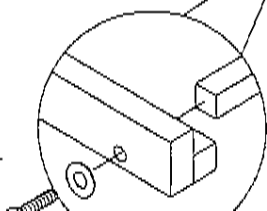
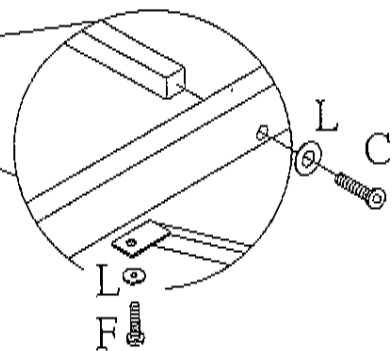
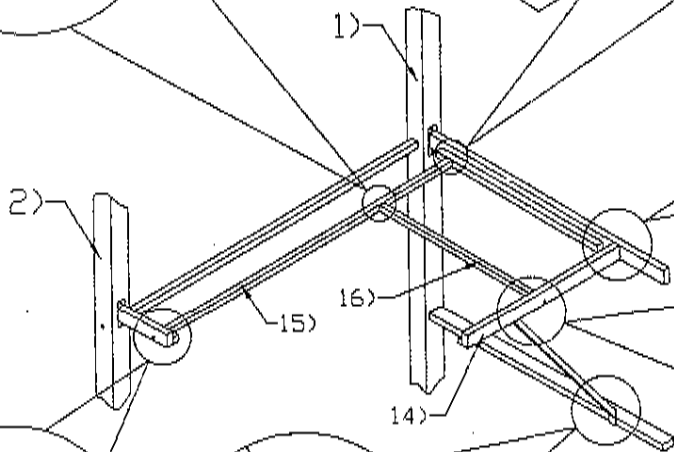
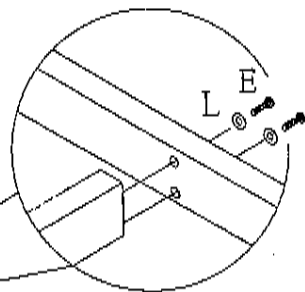
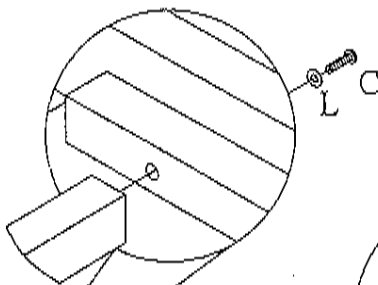
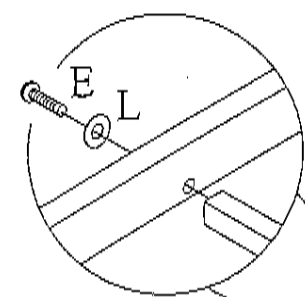
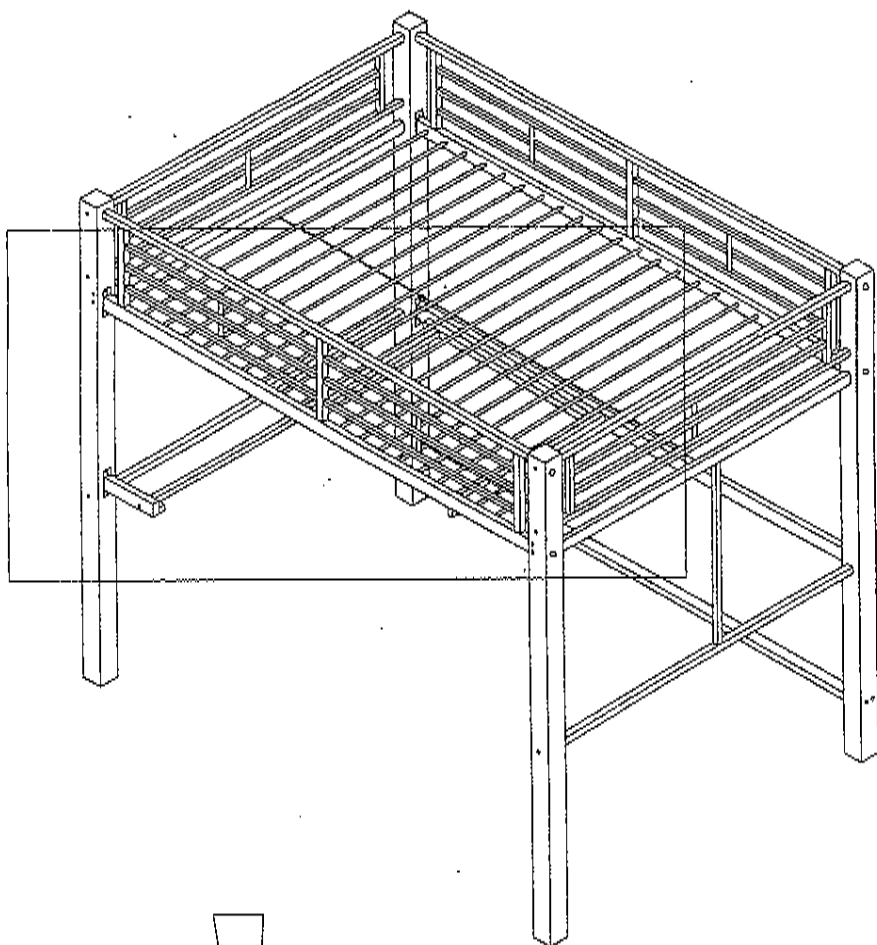
STEP 4:



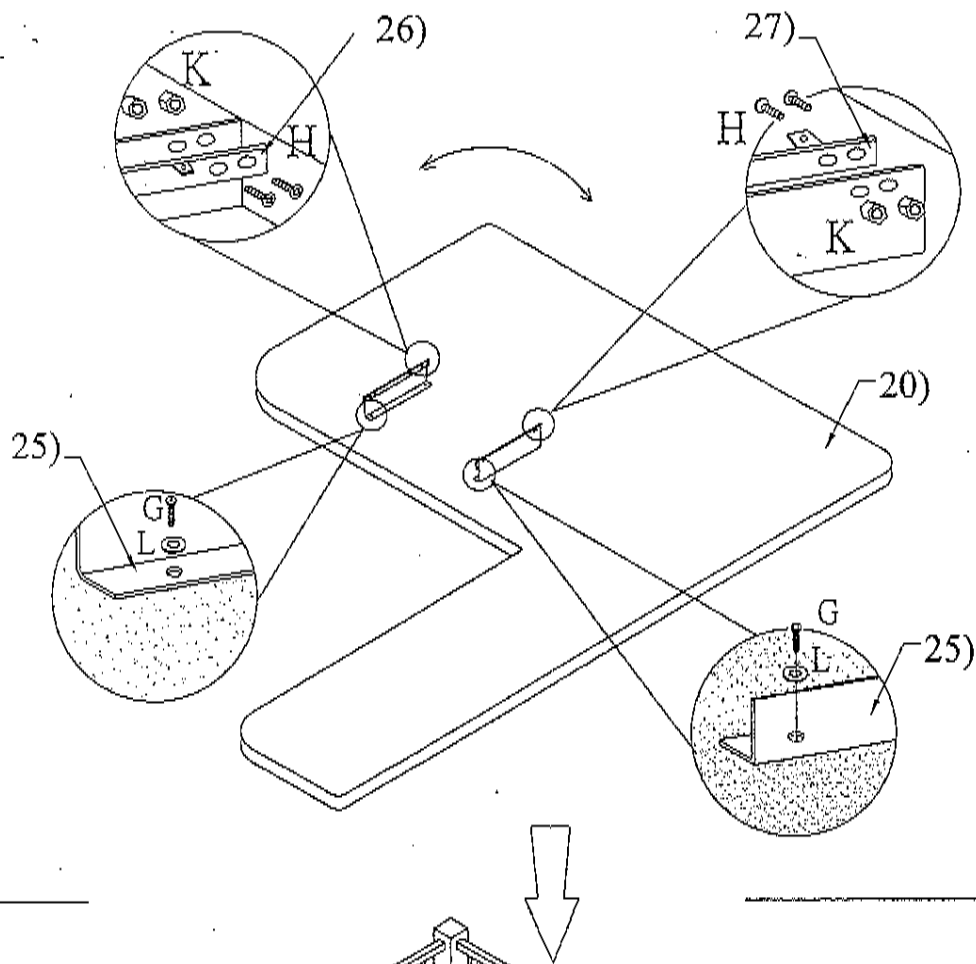
STEP 5:



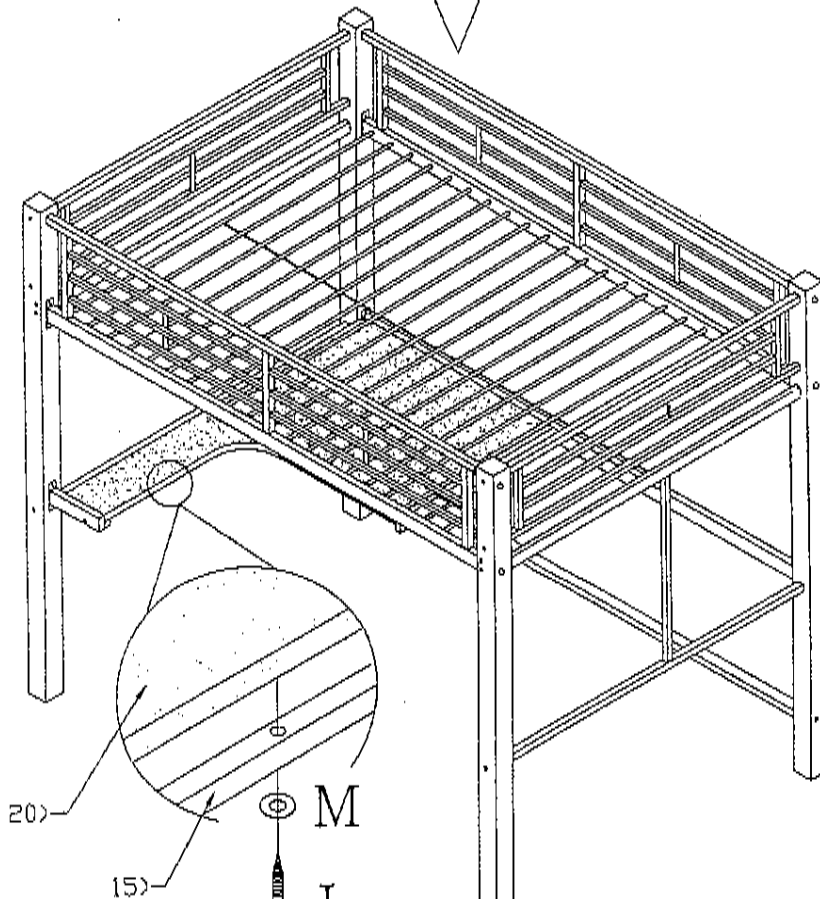
STEP 6:



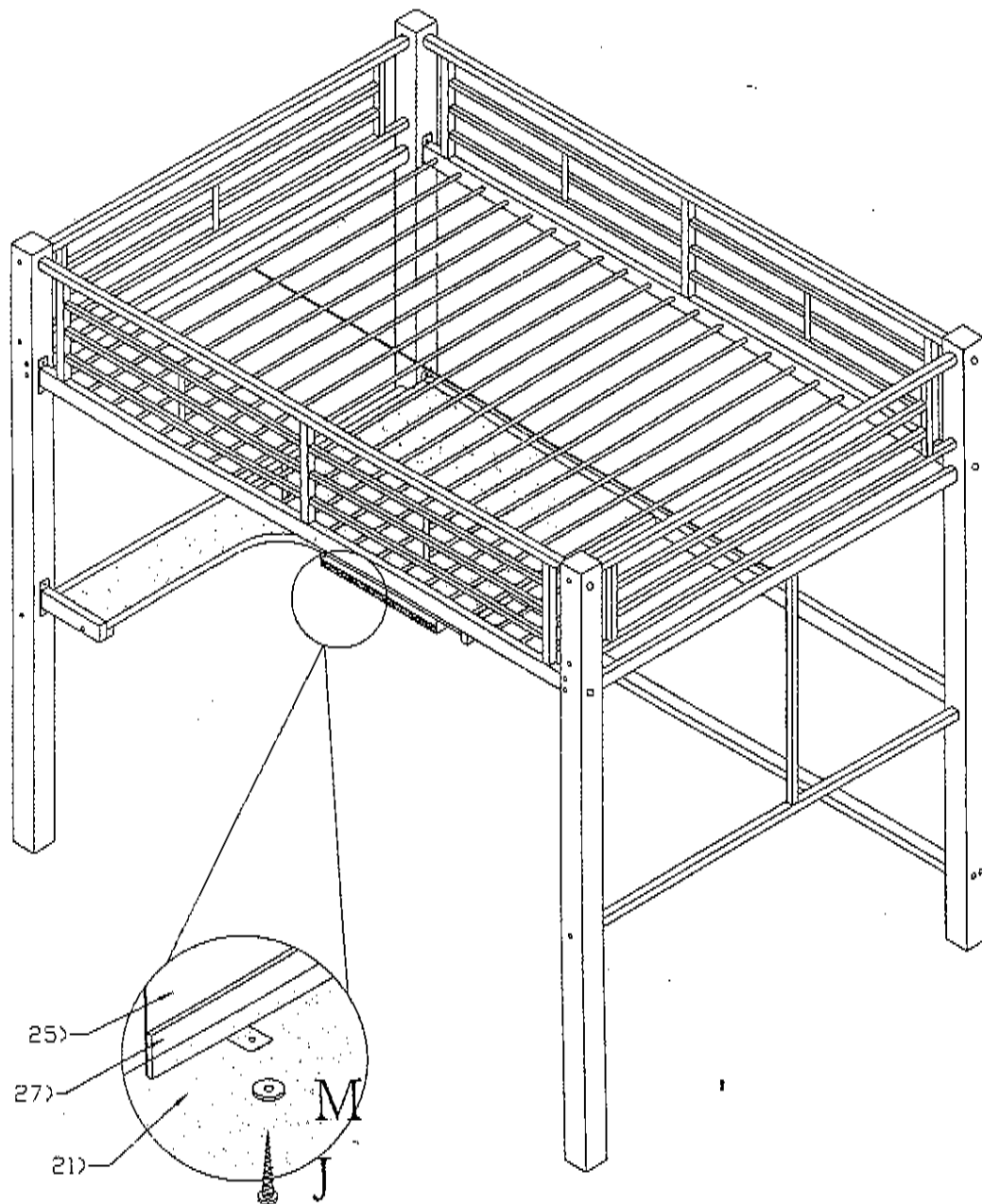
STEP 7:



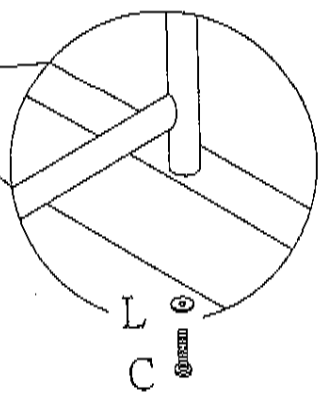
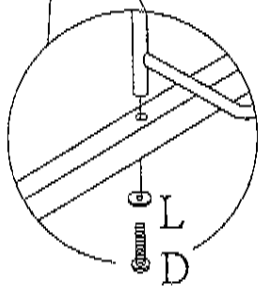
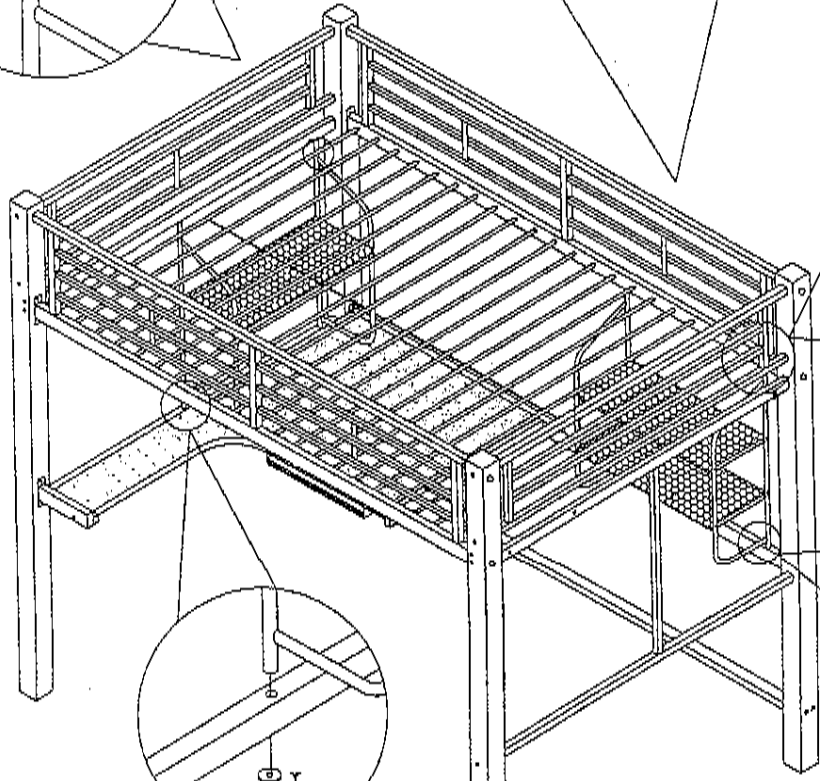
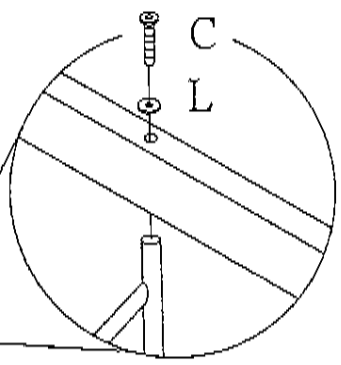
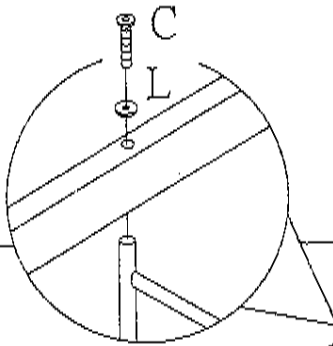
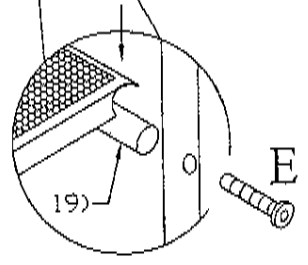
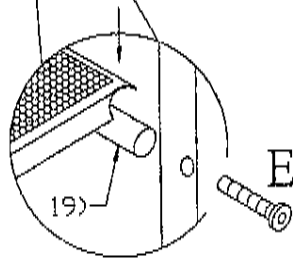
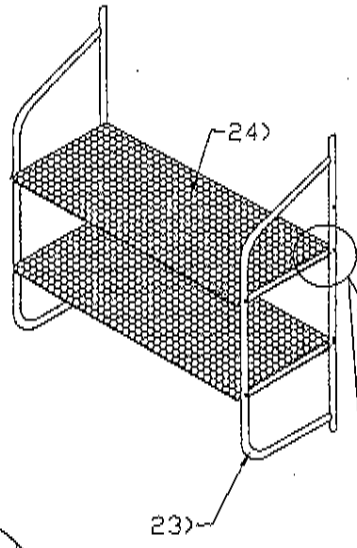
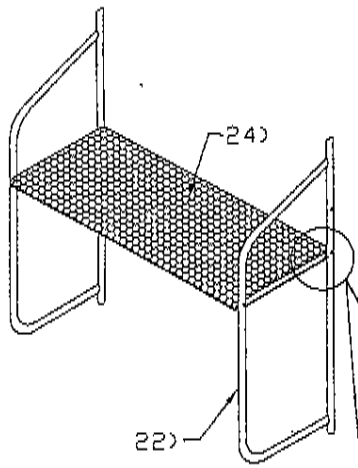
STEP 8:



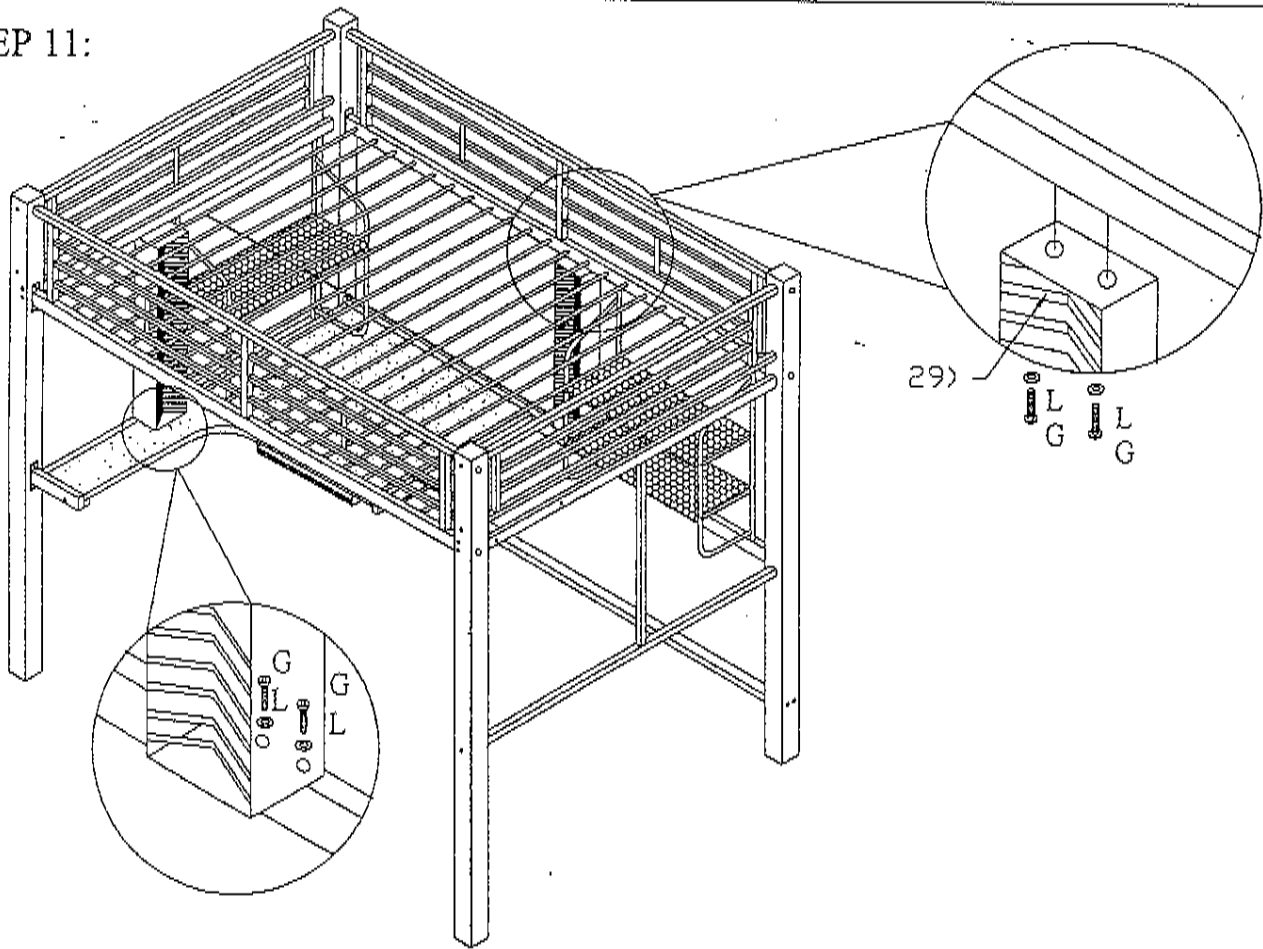
STEP 9:



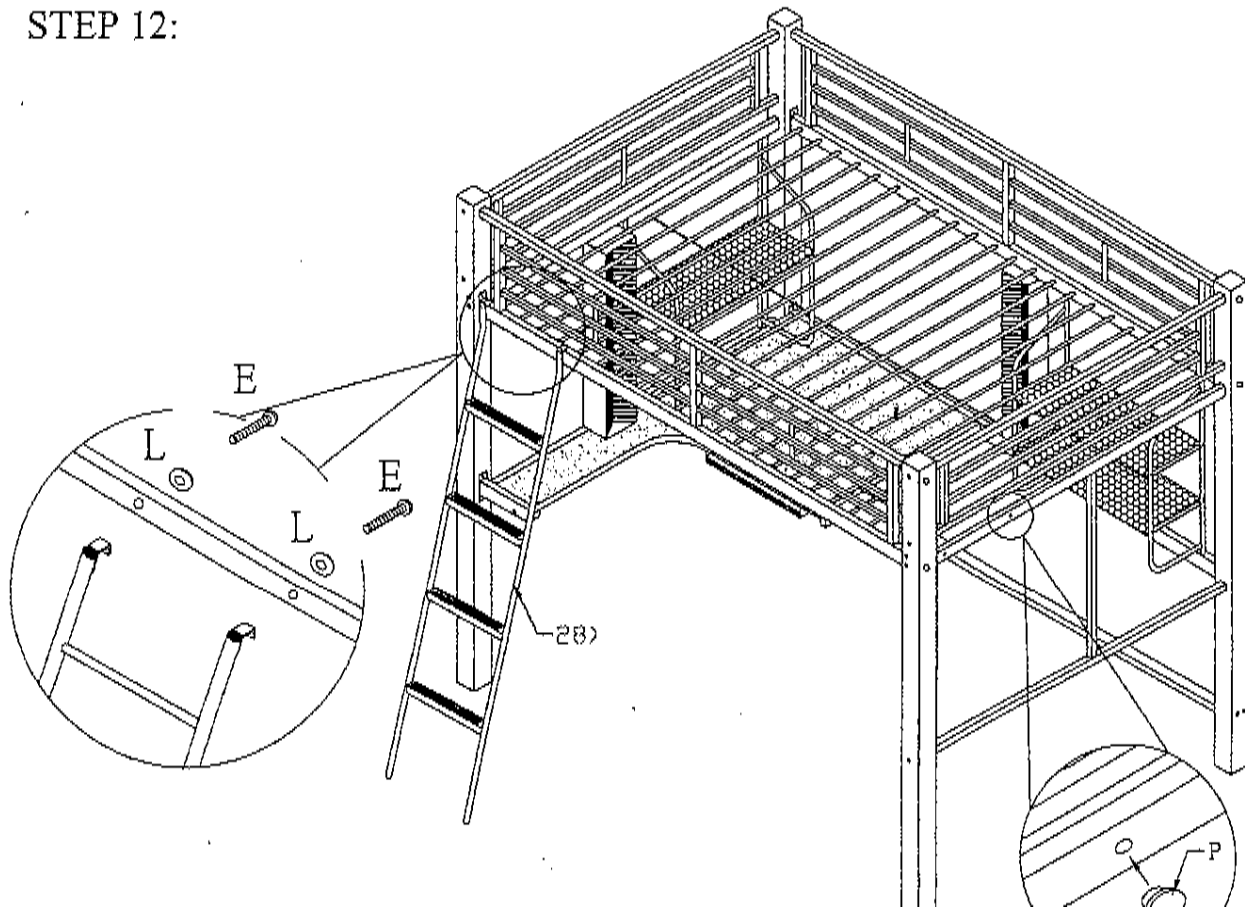
STEP 10:



STEP 11:



STEP 12:



Safety Warnings

1. Follow the information on the warnings appearing on the upper bunk end structure and on the carton . Do not remove warning label from bed.
2. Always use the recommended size mattress or/and mattress support to help prevent the likelihood of entrapment or falls.
3. Surface of mattress and foundation combined shall be at least 5" below the upper edge of guardrails .
4. Do not allow children less than 6 years of age to use the upper bunk.
5. Periodically check and ensure that the guardrail, ladder ,and other components are in their proper position ,free from damage ,and that all connectors are tight .
6. Prohibit horseplay on/or under the bed and prohibit jumping on the bed.
7. Always use the ladder for entering and leaving the upper bunk.
8. Do not use substitute parts ,Contact manufacturer or dealer for replacement parts.
9. Use of a night light may provide added safety precaution for a child using the upper bunk.
10. Always use guardrails on both long sides of the upper bunk.
11. The use of water or sleep flotation mattresses is prohibited .
12. Keep these instructions for future reference.
13. Use only mattress which is 74"× 54"× 6" on upper bunk and for bottom bunk required 74"× 54"× 8"mattress .
14. Prohibit more than one person on upper bunk.