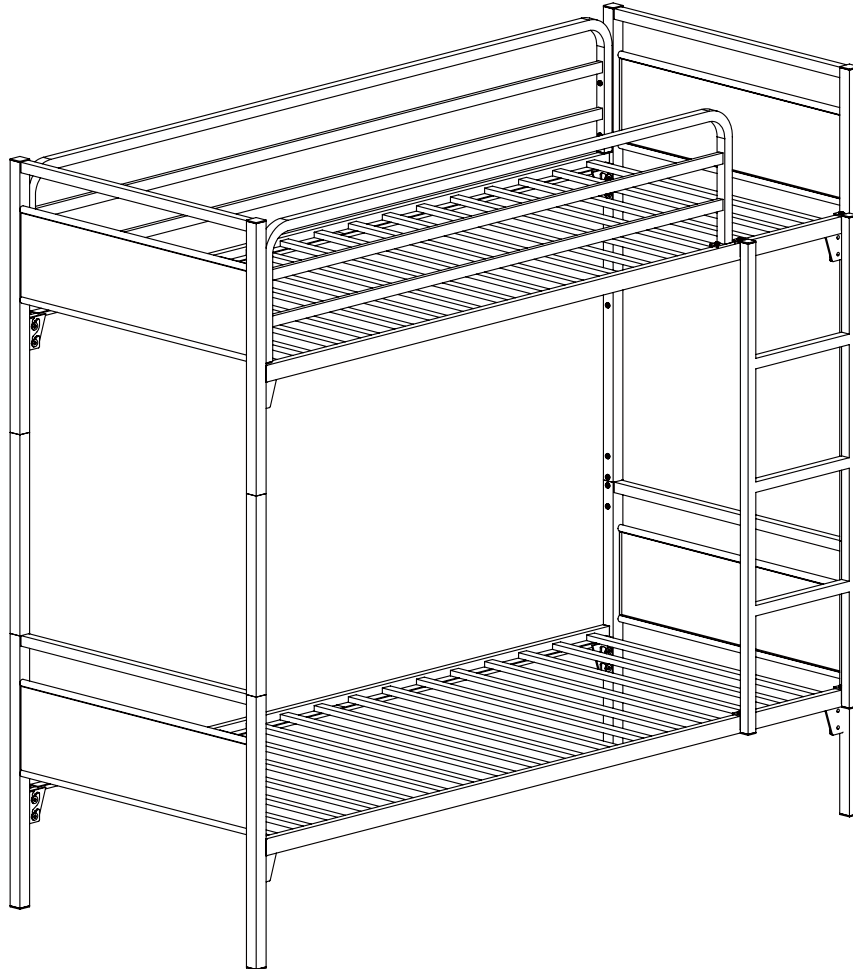


Assembly Instructions

B803 BUNK BED 39"

B804 BUNK BED 30"



Rev. 07/03/2015

NOTE TO CUSTOMERS:

For ease and speed of assembly we recommend that before you commence each step of the assembly that you identify all the parts required to complete that step.

We recommend that where possible you allow sufficient space to assemble the item as close as possible to the place where it will be once assembled.

For the protection of your furniture we recommend that the product is placed on protected surfaces during assembly to prevent any damage.

During assembly do not over tighten, as this may damage the product.

Please ensure you retain all the product packaging until the item completely assembled.

Please periodically check all fittings and re-tighten as necessary.

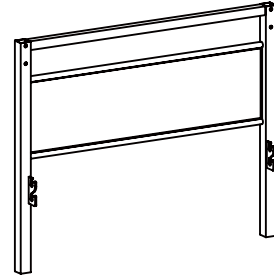
It is recommended that this item should be assembled by two adults.

PARTS LIST

PIECE

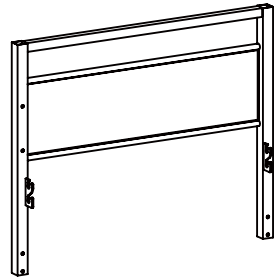
1 HEADBOARD & FOOTBOARD
(BOTTOM BED)

2



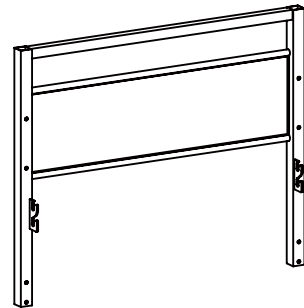
2 FOOTBOARD (UPPER BED)

1



3 HEADBOARD (UPPER BED)

1



4 FRONT RAIL (2 HOLES)
(BOTTOM BED)

1



5 FRONT RAIL (3 HOLES)
(UPPER BED)

1



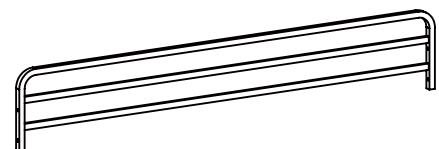
6 BACK RAIL (NO HOLES)

2



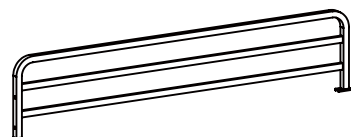
7 LONG GUARD RAIL

1



8 SHORT GUARD RAIL

1

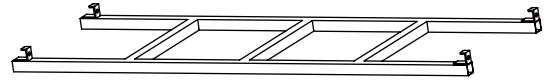


PARTS LIST

PIECE

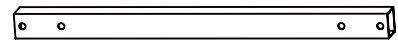
9 LADDER

1



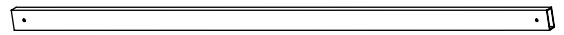
10 CONNECTOR

4



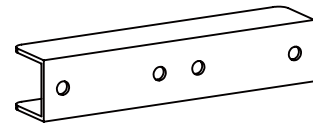
11 SLAT

34



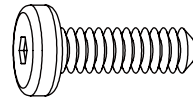
12 CONNECTOR INSERT

8



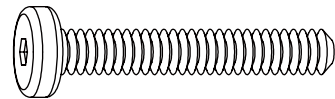
13 ALLEN BOLT

37



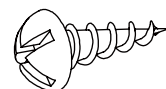
14 ALLEN BOLT

6



15 SCREW

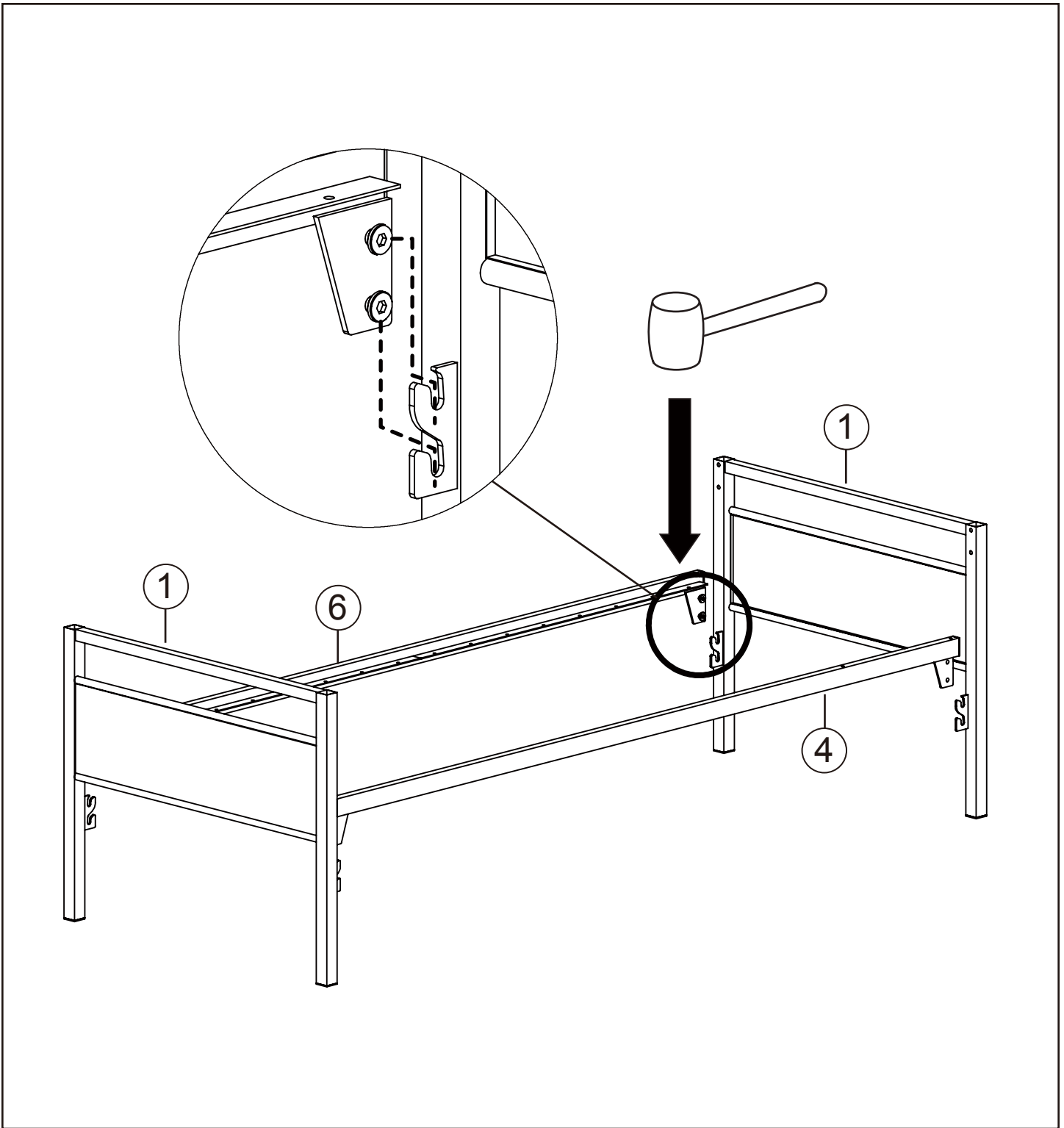
68



16 ALLEN WRENCH

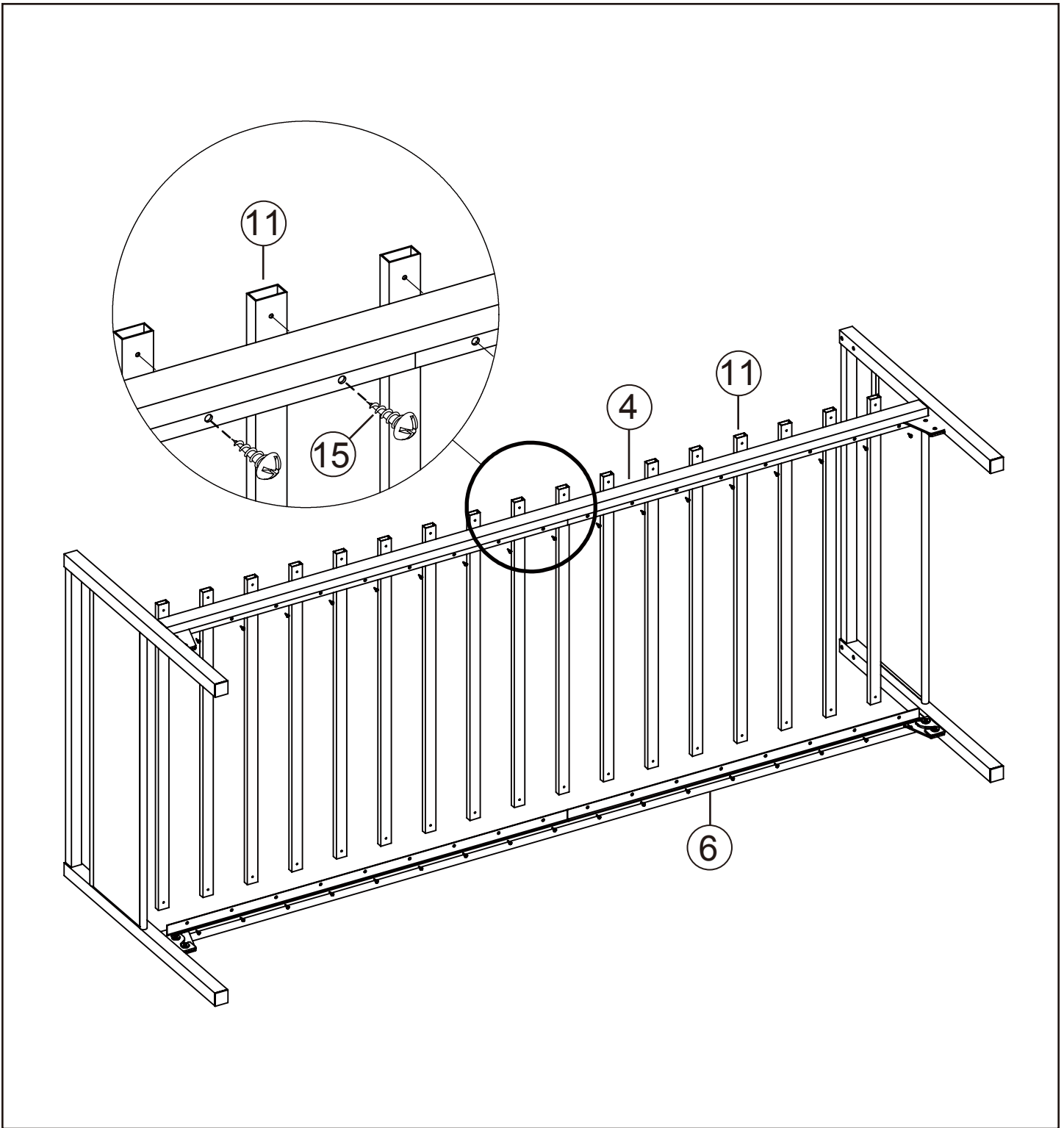
1





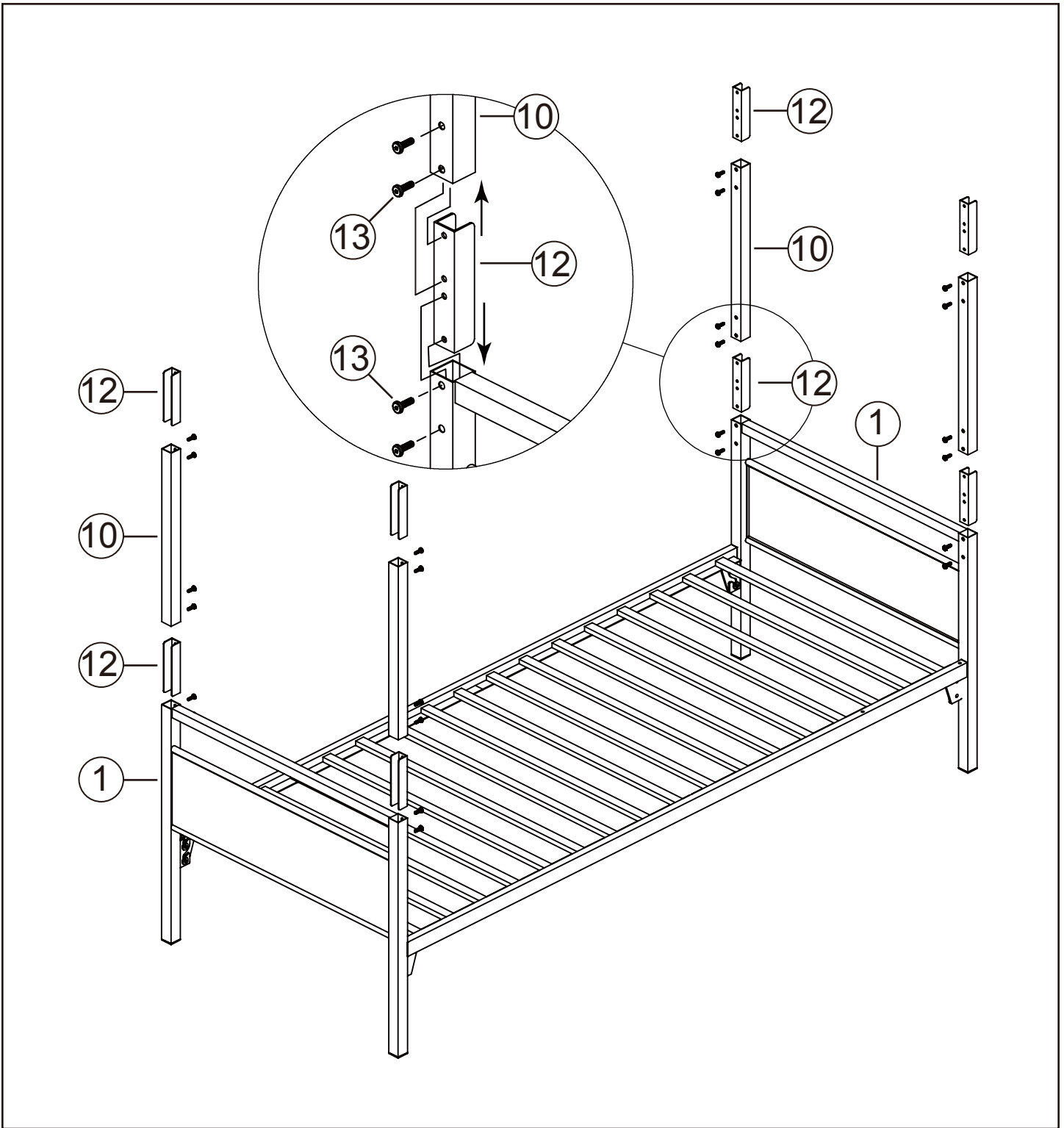
STEP 1

- ATTACH FRONT RAIL (4) AND BACK RAIL (6) TO HEADBOARD & FOOTBOARD (1)
- RUBBER MALET ALSO NEEDED FOR ASSEMBLY (NOT PROVIDED).



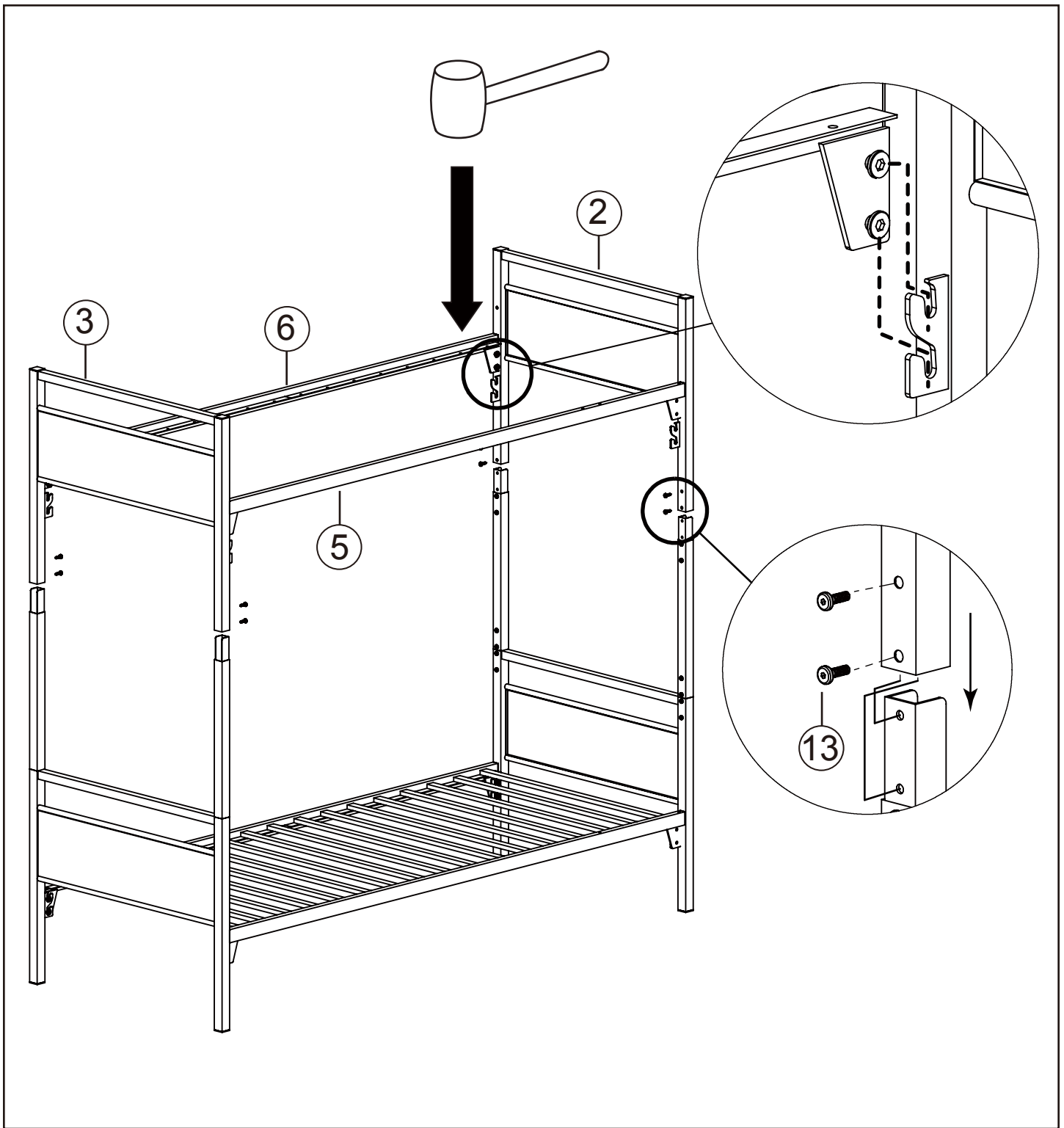
STEP 2

- ATTACH SLATS (11) TO FRONT RAIL (4) AND BACK RAIL (6) USING SCREWS (15).



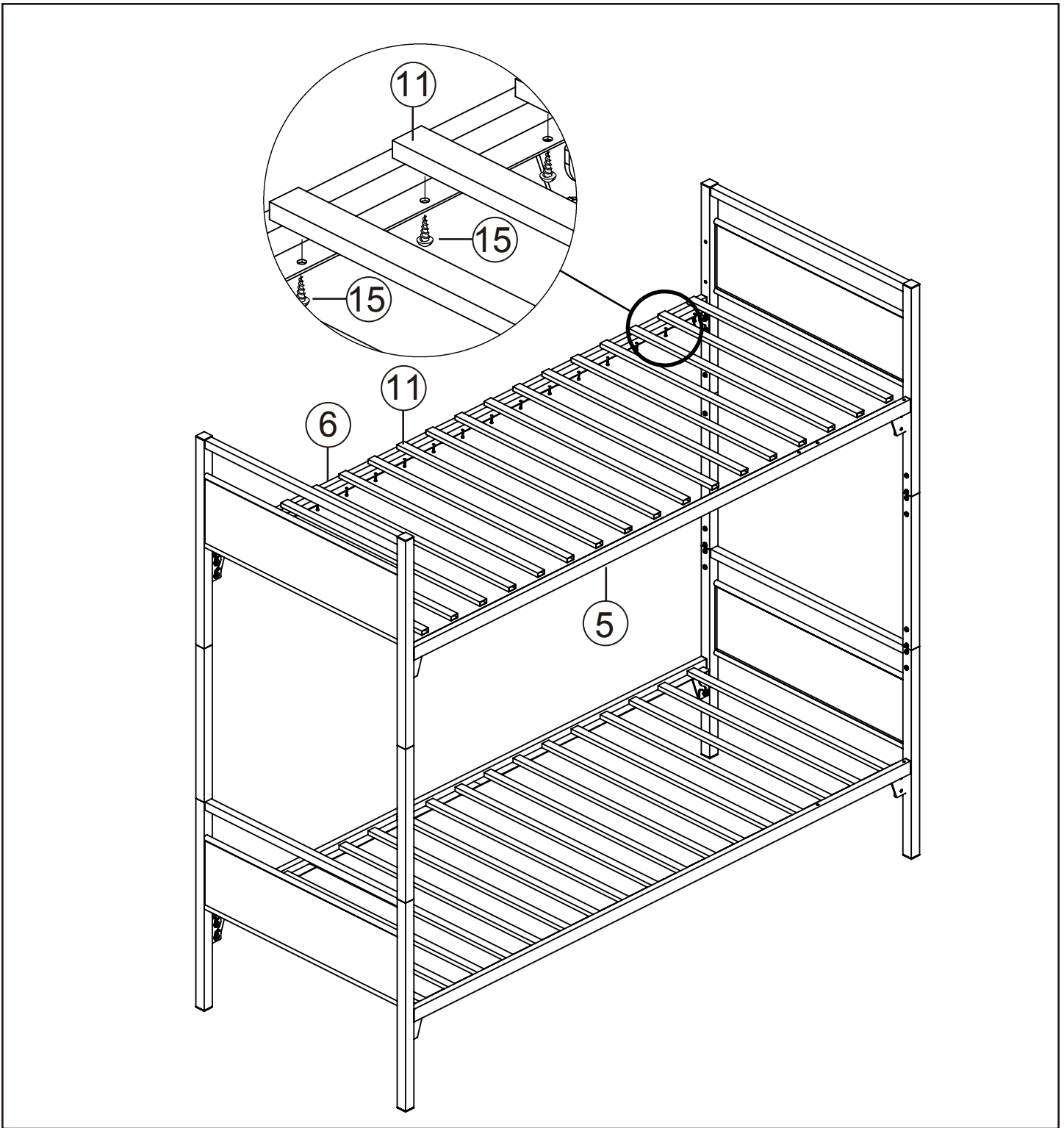
STEP 3

- ATTACH CONNECTOR (12) INTO HEADBOARD & FOOTBOARD (1) AND THEN ATTACH CONNECTOR (10) AND ADDITIONAL CONNECTOR (12) USING ALLEN BOLT (13). (AS SHOWN)
- **NOTE** : ONLY TIGHTEN ALLEN BOLTS ONCE ALL CONNECTORS ARE IN PLACE.



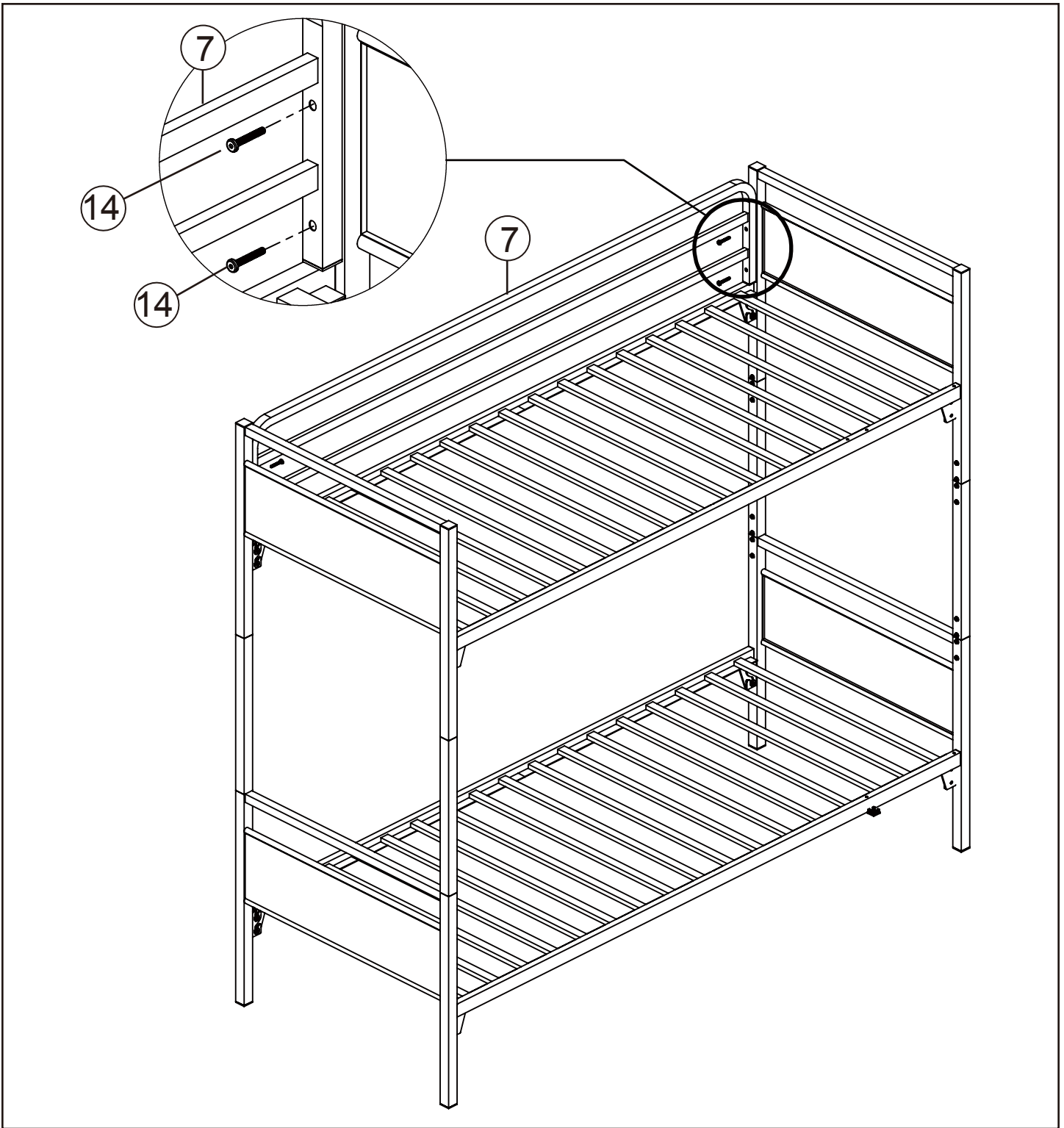
STEP 4

- ATTACH FRONT RAIL (5) AND BACK RAIL (6) TO FOOTBOARD (2) AND HEADBOARD (3).
- ATTACH UPPER BED ONTO BOTTOM BED USING ALLEN BOLT (13).
- RUBBER MALET ALSO NEEDED FOR ASSEMBLY (NOT PROVIDED).



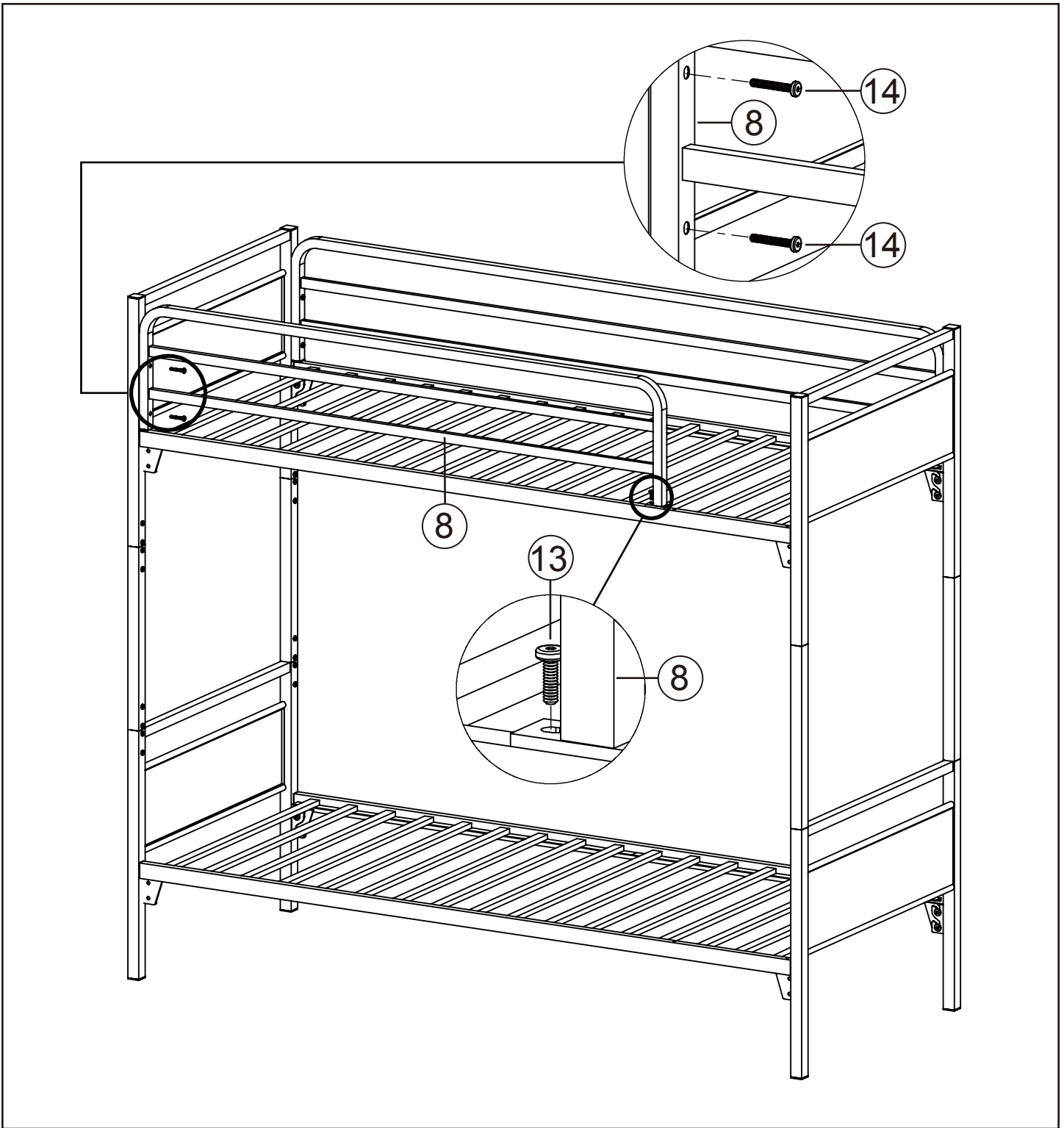
STEP 5

- ATTACH SLAT (11) TO FRONT RAIL (5) AND BACK RAIL (6) USING SCREW (15).



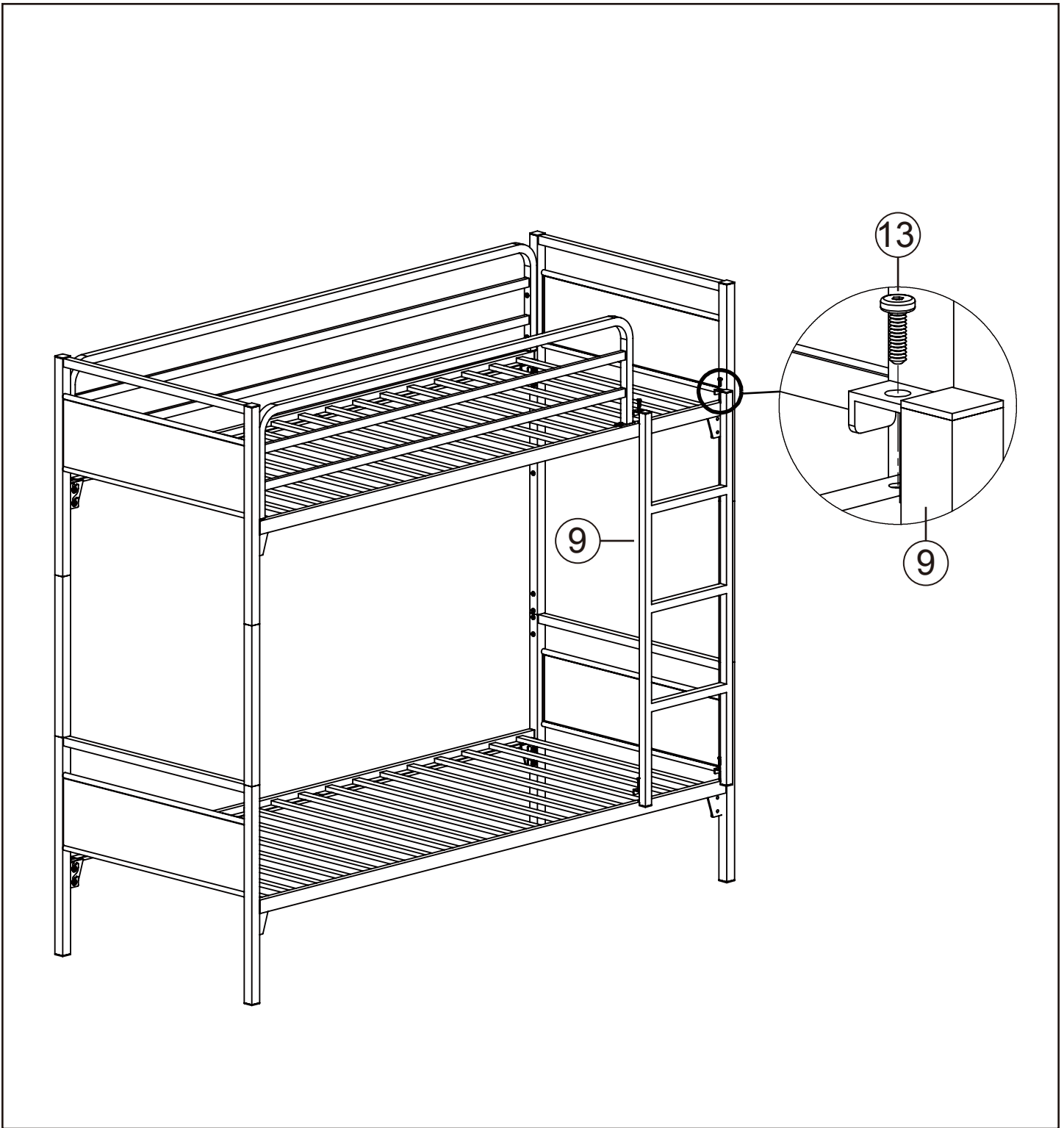
STEP 6

- ATTACH LONG GUARD RAIL (7) ONTO UPPER BED USING ALLEN BOLT (N).



STEP 7

- ATTACH SHORT GUARD RAIL (8) ONTO UPPER BED USING ALLEN BOLT (13) AND ALLEN BOLT (14).



STEP 8

- ATTACH LADDER ONTO BUNK BED USING ALLEN BOLT (13).