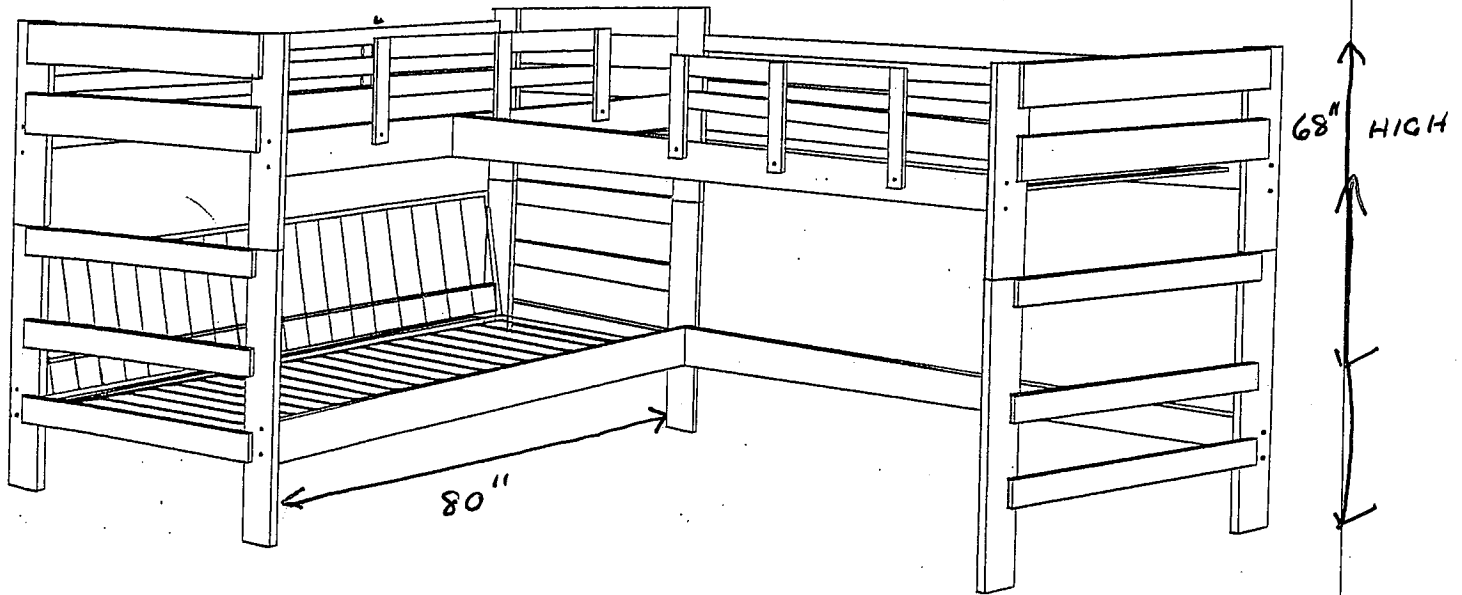


# ASSEMBLY INSTRUCTIONS

## LF 6200/LB 6200 BUNK BED

LF 6200

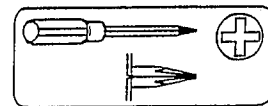


Thank you for purchasing this quality product. Be sure to check all packing material carefully for small parts which may have come loose inside the carton during shipment. Separate, identify and count all parts and hardware.

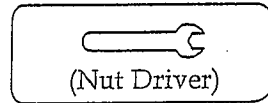
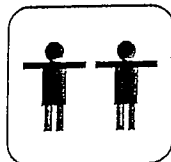
Compare with the parts list to be sure all parts are present.

**"DO NOT TIGHTEN SCREWS UNTIL COMPLETELY ASSEMBLED"**

### Tools Required

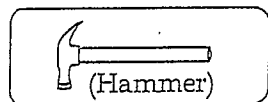


(Not included)



(Nut Driver)

(Not included)



(Hammer)

(Not included)

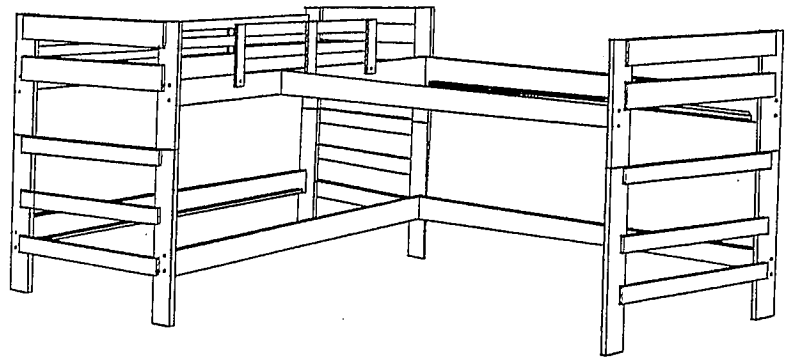
**IMPORTANT:**

PLEASE READ INSTRUCTION BEFORE STARTING THE ASSEMBLY.

## ASSEMBLY INSTRUCTIONS LF 6200 BUNK BED

LB 6200

Thank you for purchasing this quality product. Be sure to check all packing material carefully for small parts which may have come loose inside the carton during shipment. Separate, identify and count all parts and hardware. Compare with the parts list to be sure all parts are present.



"DO NOT TIGHTEN SCREWS  
UNTIL COMPLETELY ASSEMBLED"

### SIZE OF MATTRESS AND FOUNDATION(SUPPORT)

This bed is designed to use a twin mattress (37½" x 74") and bunkie board (37½" x 74"). The total thickness must not exceed 6½" inches.

Note: There must be at least 5" inches from top of mattress to top of guardrail.

### REPLACEMENT PARTS.

Replacement parts, including additional guard rails, may be obtained from place of purchase or original distribution.

TO OBTAIN PARTS, PLEASE CONTACT: WOODCREST MANUFACTURING-PERU INDIANA

## SAFETY WARNINGS !

- 1-Follow the information on the warning label appearing on the upper bunk end structure and on the carton. Do not remove warning label from bed.
- 2-Always use the recommended size mattress or mattress support, or both, to help prevent the likelihood of entrapment or falls.
- 3-Surface of mattress must be at least 5 inches below the upper edge of guardrails.
- 4-Do not allow children under 6 years of age to use the upper bunk.
- 5-Prohibit more than one person on upper bunk.
- 6-Periodically check and ensure that the guardrail, ladder and other components are in their proper position, free from damage, and that all connectors are tight.
- 7-Do not allow horseplay on or under the bed and prohibit jumping on the bed.
- 8-Always use the ladder for entering and leaving the upper bunk.
- 9-Do not use substitute parts. Contact manufacturer or dealer for replacement parts.
- 10-Use a night light may provide added safety precaution for a child using the upper bunk.
- 11-If the bunk bed will be placed next to a wall, the guardrail that runs the full length of the bed should be placed against the wall to prevent entrapment between the bed and the wall.
- 12-Always use guard rails on both long sides of the upper bunk.
- 13-The use of water or sleep flotation mattresses is prohibited.
- 14-Keep these instructions for future reference.
- 15-Strangulation Hazard-Never attach or hang items to any part of the bunk bed that are not designed for use with the bed: for example, but not limited to, hooks, belts, and jump ropes, etc.



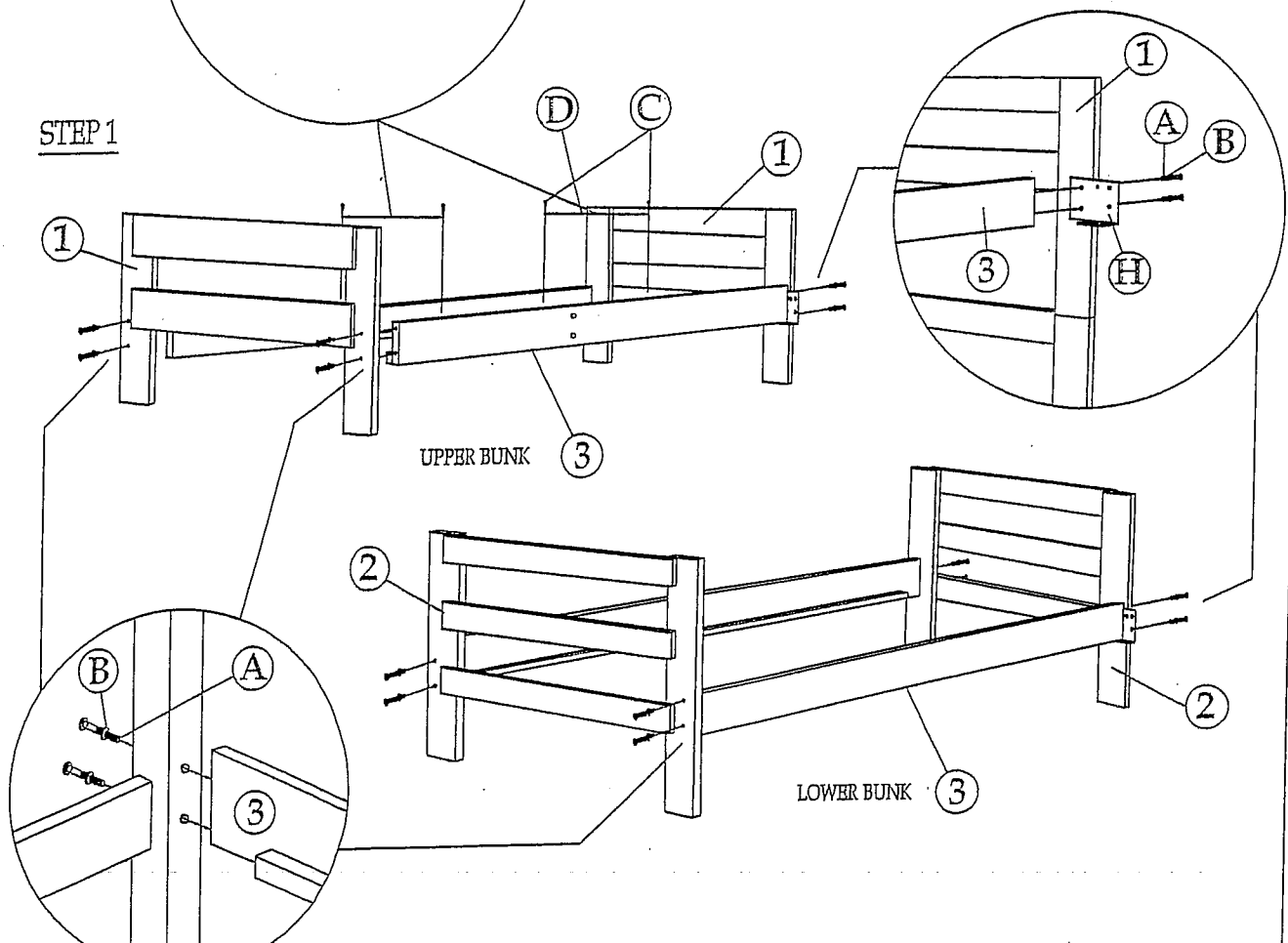
# Part List - LF 6200 BUNK BED

NO	PARTS	QTY
1	UPPER BED END	3
2	LOWER BED END	3
3	SIDE RAILS	7
4	GUARD RAILS (FULL)	2
5	GUARD RAILS (3/4)	2
6	SEAT DECK	1
7	BACK DECK	1

NO	HARDWARE	QTY
A	3 1/2" LAG BOLTS	24
B	1/4" FLAT WASHERS	24
C	#14 X 3/4" SCREWS	12
D	SAFETY WIRES	6
E	3" DOWELS	6
F	#10 X 2" SCREWS	28
G	METAL BRACKETS	2
H	2" BOLTS	4
I	WASHERS	4
J	1/2" SPACERS	4
K	1/4" NUTS	4
L	#8 X 1 1/4" SCREWS	10

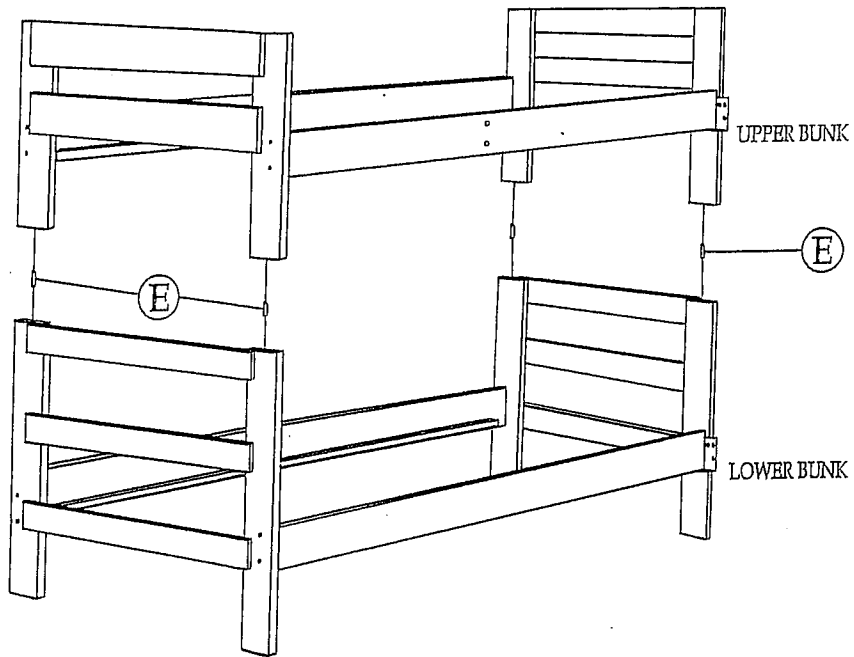
SAFETY WIRES ARE A SAFETY FEATURE ONLY. BUNKIE BOARD, SLATS, OR FOUNDATION MUST BE USED!

STEP 1



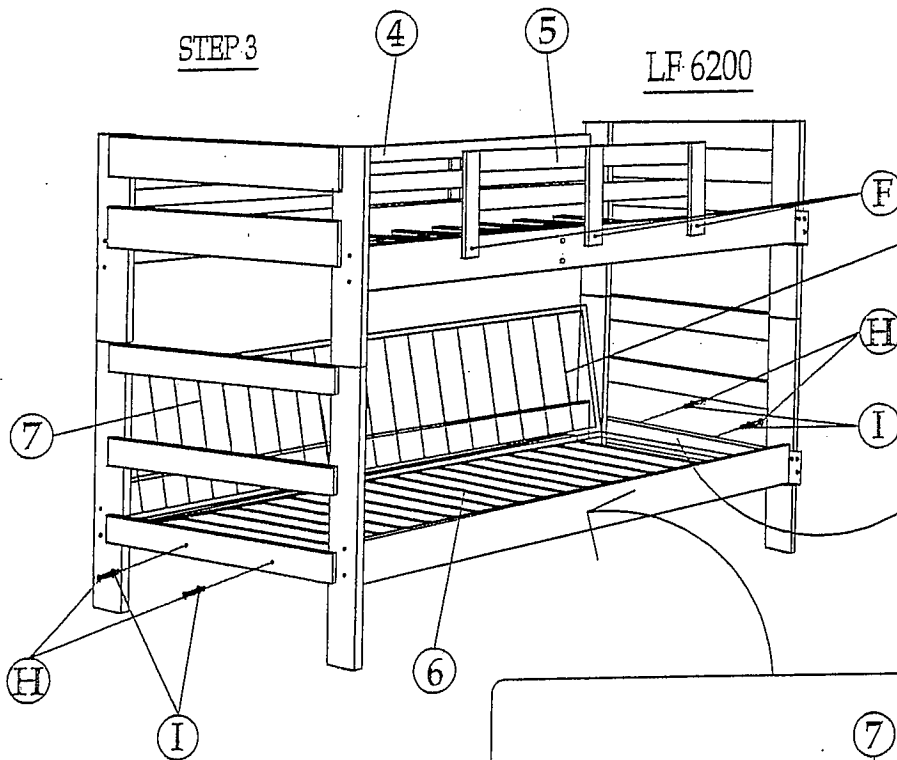
STEP 2

LB 6200

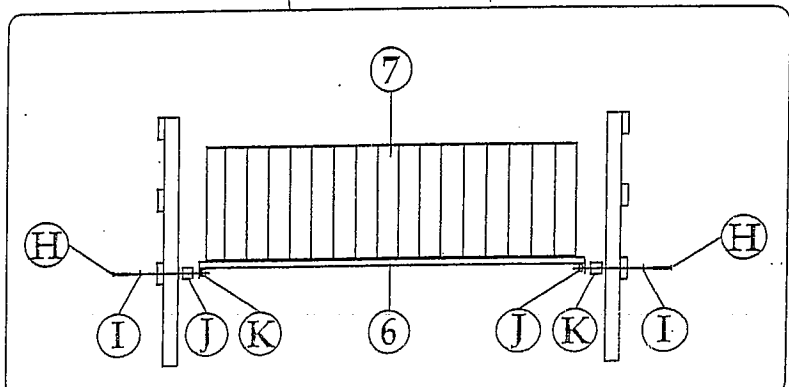
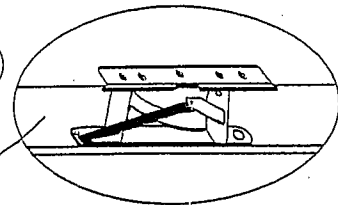


STEP 3

LF 6200

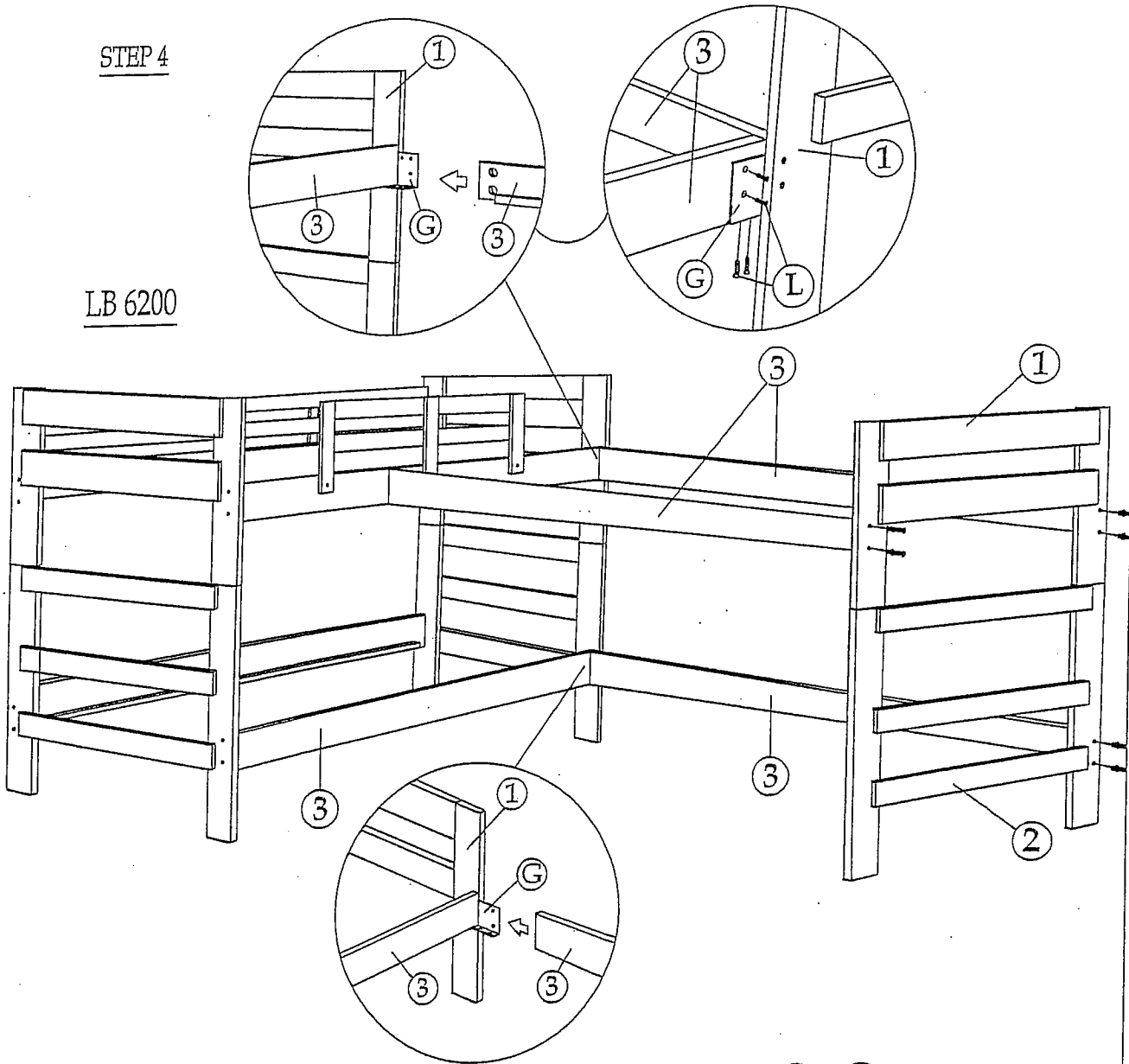


SAFETY WIRES ARE NOT NEEDED WHEN USING FUTON DECKS



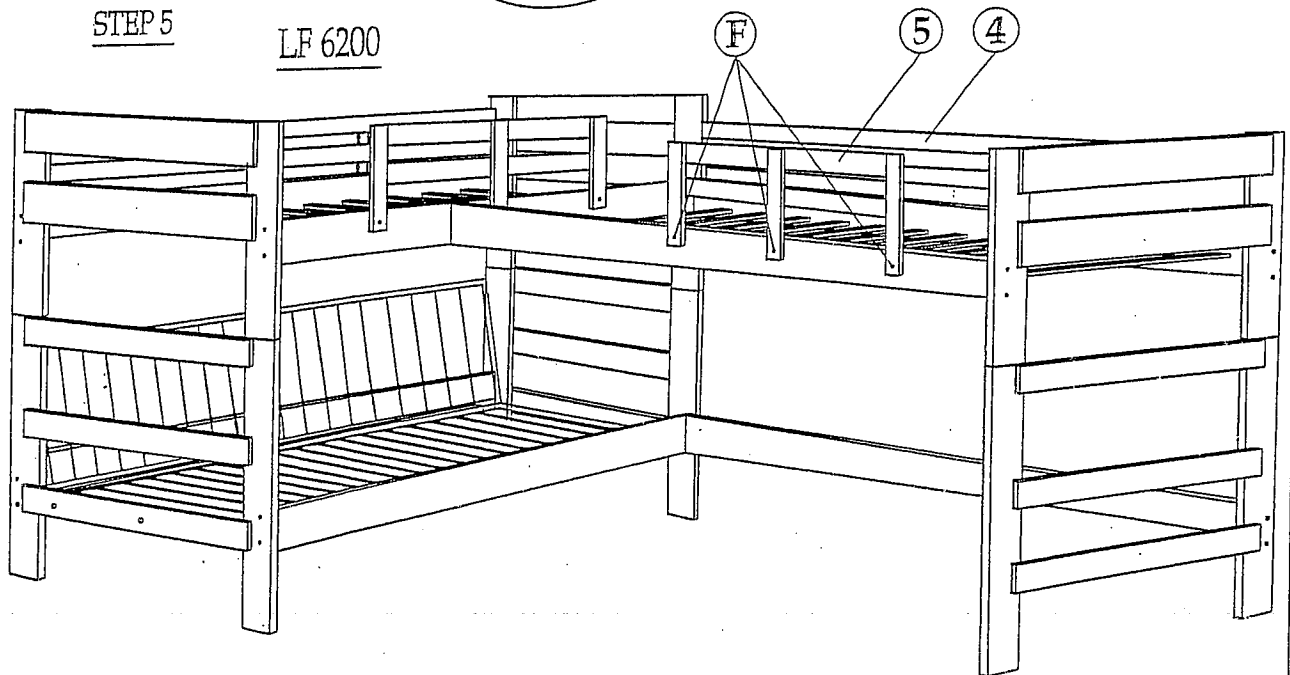
STEP 4

LB 6200



STEP 5

LF 6200



F 2300

# ASSEMBLY INSTRUCTION

Hardware List			Parts List		
Item	Description	QTY	Item	Description	QTY
1	M8 x 45 bolt	4	A	Seat Frame	1
2	M8 x 38 bolt	8	B	Back Frame	1
3	CHECKNut M8	12	C	Right Hinge	1
4	Washer M8	12	D	Left Hinge	1
5	PRESSER WASHERS	12			
6	Hook	2			
7	Allen Wrench 5mm	1			
8	Open End Wrench (12mm)	1			

Attach the seat frame (A) to the front position at the hinge using 4 (1/4" x 1-3/4") bolts (1), 8 washers (4) and 8 nuts (3). Then attach the seat frame (A) and back frame (B) with the hook (5). Repeat to Assemble the back frame to the back position of the hinge.

